

Condensate Pot

Parker Condensate Pots for Small Bore Tubing Systems



A cleaner solution to prevent system damage

The new range of condensate pots from Parker Hannifin have been designed to trap any foreign material from the pipeline, preventing damage to the sensitive instrumentation components. The condensate is drained from the bottom valve connection, and are suitable for use with our range of ball valves, which acts as the drain port.

The condensate pots are available in a range of materials and have been designed in accordance with ASME VIII Div 1 and produced in an ASME coded workshop. All condensate pots are CE marked to PED 97/23/EC for use with Group 2 gases.

Installation can be either vertical or horizontal lines between the primary (Flow Meter) and the secondary (transmitter/gauge) to act as a barrier to the line fluid permitting direct sensing of the flow conditions. Units should be mounted at the same level minimising possible error that could arise due to unequal head of fluid in the connecting pressure lines.

Typical industry applications include: Refineries, Power plants, Chemical and Petrochemical, Steel plants and other process industries.



Features

- CE marked to PED 97/23/EC
- High/Low Pressure Rating options
- Available in 0.5 to 5.0L
- Range of exotic materials
- ASME VIII U stamping and GOST R certification available
- Parker A-LOK® ended outlets
- Can be fitted with a wide range of Parker needle and ball valves



ENGINEERING YOUR SUCCESS.

Ordering information - Part Number Configurator

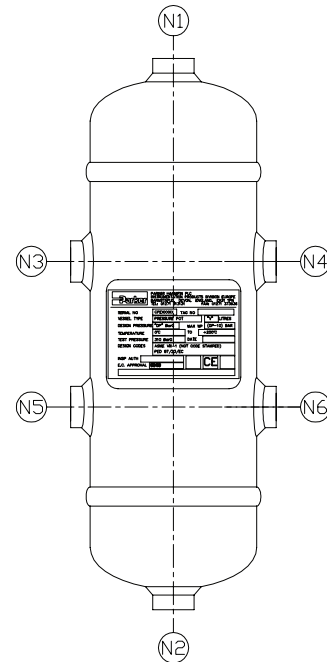
Part Code	Pressure	Volume	N1/2	N3	N4	N5	N6	Material																																													
Example COND	LP	1.0L	1	1	4	7	3	316																																													
	LP SEE TABLE HP SEE TABLE Design Pressure	0.5L 1.0L 1.5L 2.0L 3.0L 5.0L						Stainless Steel = 316 Monel = M Stainless Steel = 304 Steel = CS 6Mo = 6Mo																																													
<table border="1"> <tr><td>1/4" Fem NPT = 1</td></tr> <tr><td>1/2" Fem NPT = 2</td></tr> <tr><td>1" Fem NPT = 3</td></tr> <tr><td>1/2" A-LOK® = 4</td></tr> <tr><td>M12 A-LOK® = 5</td></tr> <tr><td>1" A-LOK® = 6</td></tr> <tr><td>M25 A-LOK® = 7</td></tr> <tr><td>1/4" BSPT = 8</td></tr> <tr><td>1/2" BSPT = 9</td></tr> </table>	1/4" Fem NPT = 1	1/2" Fem NPT = 2	1" Fem NPT = 3	1/2" A-LOK® = 4	M12 A-LOK® = 5	1" A-LOK® = 6	M25 A-LOK® = 7	1/4" BSPT = 8	1/2" BSPT = 9	<table border="1"> <tr><td>1/4" Fem NPT = 1</td></tr> <tr><td>1/2" Fem NPT = 2</td></tr> <tr><td>1" Fem NPT = 3</td></tr> <tr><td>1/2" A-LOK® = 4</td></tr> <tr><td>M12 A-LOK® = 5</td></tr> <tr><td>1" A-LOK® = 6</td></tr> <tr><td>M25 A-LOK® = 7</td></tr> <tr><td>1/4" BSPT = 8</td></tr> <tr><td>1/2" BSPT = 9</td></tr> <tr><td>Not required = 0</td></tr> </table>	1/4" Fem NPT = 1	1/2" Fem NPT = 2	1" Fem NPT = 3	1/2" A-LOK® = 4	M12 A-LOK® = 5	1" A-LOK® = 6	M25 A-LOK® = 7	1/4" BSPT = 8	1/2" BSPT = 9	Not required = 0	<table border="1"> <tr><td>1/4" Fem NPT = 1</td></tr> <tr><td>1/2" Fem NPT = 2</td></tr> <tr><td>1" Fem NPT = 3</td></tr> <tr><td>1/2" A-LOK® = 4</td></tr> <tr><td>M12 A-LOK® = 5</td></tr> <tr><td>1" A-LOK® = 6</td></tr> <tr><td>M25 A-LOK® = 7</td></tr> <tr><td>1/4" BSPT = 8</td></tr> <tr><td>1/2" BSPT = 9</td></tr> <tr><td>Not required = 0</td></tr> </table>	1/4" Fem NPT = 1	1/2" Fem NPT = 2	1" Fem NPT = 3	1/2" A-LOK® = 4	M12 A-LOK® = 5	1" A-LOK® = 6	M25 A-LOK® = 7	1/4" BSPT = 8	1/2" BSPT = 9	Not required = 0	<table border="1"> <tr><td>1/4" Fem NPT = 1</td></tr> <tr><td>1/2" Fem NPT = 2</td></tr> <tr><td>1" Fem NPT = 3</td></tr> <tr><td>1/2" A-LOK® = 4</td></tr> <tr><td>M12 A-LOK® = 5</td></tr> <tr><td>1" A-LOK® = 6</td></tr> <tr><td>M25 A-LOK® = 7</td></tr> <tr><td>1/4" BSPT = 8</td></tr> <tr><td>1/2" BSPT = 9</td></tr> <tr><td>Not required = 0</td></tr> </table>	1/4" Fem NPT = 1	1/2" Fem NPT = 2	1" Fem NPT = 3	1/2" A-LOK® = 4	M12 A-LOK® = 5	1" A-LOK® = 6	M25 A-LOK® = 7	1/4" BSPT = 8	1/2" BSPT = 9	Not required = 0	<table border="1"> <tr><td>1/4" Fem NPT = 1</td></tr> <tr><td>1/2" Fem NPT = 2</td></tr> <tr><td>1" Fem NPT = 3</td></tr> <tr><td>1/2" A-LOK® = 4</td></tr> <tr><td>M12 A-LOK® = 5</td></tr> <tr><td>1" A-LOK® = 6</td></tr> <tr><td>M25 A-LOK® = 7</td></tr> <tr><td>1/4" BSPT = 8</td></tr> <tr><td>1/2" BSPT = 9</td></tr> <tr><td>Not required = 0</td></tr> </table>	1/4" Fem NPT = 1	1/2" Fem NPT = 2	1" Fem NPT = 3	1/2" A-LOK® = 4	M12 A-LOK® = 5	1" A-LOK® = 6	M25 A-LOK® = 7	1/4" BSPT = 8	1/2" BSPT = 9	Not required = 0
1/4" Fem NPT = 1																																																					
1/2" Fem NPT = 2																																																					
1" Fem NPT = 3																																																					
1/2" A-LOK® = 4																																																					
M12 A-LOK® = 5																																																					
1" A-LOK® = 6																																																					
M25 A-LOK® = 7																																																					
1/4" BSPT = 8																																																					
1/2" BSPT = 9																																																					
1/4" Fem NPT = 1																																																					
1/2" Fem NPT = 2																																																					
1" Fem NPT = 3																																																					
1/2" A-LOK® = 4																																																					
M12 A-LOK® = 5																																																					
1" A-LOK® = 6																																																					
M25 A-LOK® = 7																																																					
1/4" BSPT = 8																																																					
1/2" BSPT = 9																																																					
Not required = 0																																																					
1/4" Fem NPT = 1																																																					
1/2" Fem NPT = 2																																																					
1" Fem NPT = 3																																																					
1/2" A-LOK® = 4																																																					
M12 A-LOK® = 5																																																					
1" A-LOK® = 6																																																					
M25 A-LOK® = 7																																																					
1/4" BSPT = 8																																																					
1/2" BSPT = 9																																																					
Not required = 0																																																					
1/4" Fem NPT = 1																																																					
1/2" Fem NPT = 2																																																					
1" Fem NPT = 3																																																					
1/2" A-LOK® = 4																																																					
M12 A-LOK® = 5																																																					
1" A-LOK® = 6																																																					
M25 A-LOK® = 7																																																					
1/4" BSPT = 8																																																					
1/2" BSPT = 9																																																					
Not required = 0																																																					
1/4" Fem NPT = 1																																																					
1/2" Fem NPT = 2																																																					
1" Fem NPT = 3																																																					
1/2" A-LOK® = 4																																																					
M12 A-LOK® = 5																																																					
1" A-LOK® = 6																																																					
M25 A-LOK® = 7																																																					
1/4" BSPT = 8																																																					
1/2" BSPT = 9																																																					
Not required = 0																																																					

Dimensional Details

Capacity	Diameter	Length 'L'
0.5 Litres	73.0mm	246mm
1.0 Litres	88.9mm	282mm
2.0 Litres	114.3mm	347mm
3.0 Litres	114.3mm	482mm
5.0 Litres	114.3mm	754mm

Design Pressures

Material	LP	HP
316L	132	190
Monel	107	154
304L	131	189
Steel	112	163
6Mo	150	217



Certification / Design Codes

All condensate pots are designed in accordance with ASME VIII Div 1 and produced in an ASME Coded workshop. All are CE Marked to PED 97/23/EC for use with Group 2 Gases (non hazardous).

ASME VIII U stamping and GOST R certification are available at extra cost.

Design temperature 100°C

Other pressures and temperatures available as special order

