

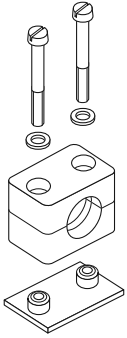
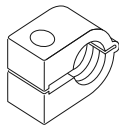
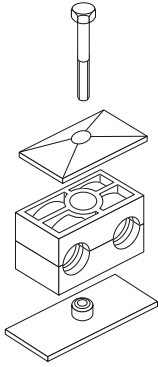
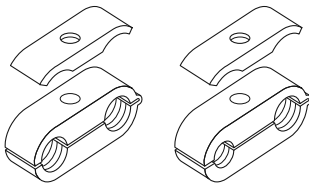
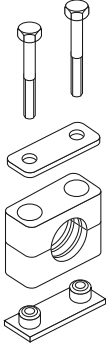
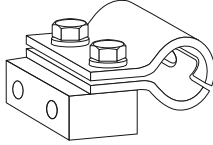
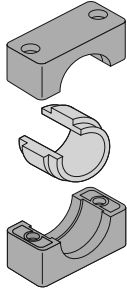
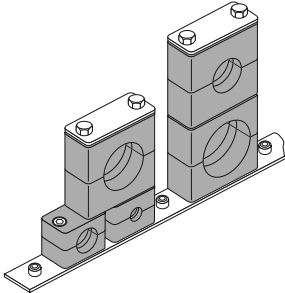


# EO<sup>®</sup> Ermeto Original *Tube clamps*



## Visual index

Technical data.....	S3
Material properties.....	S4
Assembly instruction.....	S5/6
Light series (DIN 3015, part 1).....	S6
Heavy series (DIN 3015, part 2).....	S6
Double series (DIN 3015, part 3).....	S6
Recommended clamp pitch.....	S7
Pipe bend assembly.....	S7

<p>Tube clamps series A</p>	 <p>p. S8–S17</p>	<p>Tube clamps series O</p>	 <p>p. S35</p>
<p>Tube clamps series B</p>	 <p>p. S18–S22</p>	<p>Double-Tube clamps series O</p>	 <p>p. S36</p>
<p>Tube clamps series C</p>	 <p>p. S23–S33</p>	<p>Hydraulic steel-clamps</p>	 <p>p. S37</p>
		<p>Tube clamps with Elastomer Inlay</p>	 <p>p. S39</p>
		<p>Tube clamps-series 2+5</p>	 <p>p. S40</p>

## Tube clamps

### DIN 3015

#### Programme:

##### Tube clamps series A (according to DIN 3015 Part 1)

Available in seven standard sizes for normal mechanical requirements.

- Outer tube diameter for the metric series 6 to 57 mm
- Outer tube diameter for the inch-size series R 1/8" to R 1 1/2"
- Outer tube diameter for the imperial size series 1/4" to 2 1/2"

The clamp body is available in a round/closed version.

Welding plates, rail-supports, cover plates and construction types.

##### Tube clamps series B (according to DIN 3015 Part 3)

Available as a twin tube clamp in five standard sizes for normal mechanical requirements.

Outer tube diameter 6 to 42 mm.

The clamp body is available in a square/open design.

Welding plates, rail-supports, cover plates and construction types.

Clamp halves with different diameters are only possible when used together.

##### Tube clamps series C (according to DIN 3015 Part 2)

Specially designed for high mechanical requirements, and available in eight standard sizes.

- Outer tube diameter 6 to 220 mm.

The clamp body is available in a square/closed design.

Welding plates, rail-supports, cover plates and construction types.

#### Design:

According to DIN 3015:

Both upper and lower clamp-halves are identical.

Webs inside the bore of the clamps provide an impact and vibration deadening effect, and absorb the forces towards the direction of the tube axis.

When using hoses and cables, we recommend the use of clamp halves with a smooth bore.

#### Clamp material:

Polypropylene	-30°C up to + 90° C	colour dark green
Polyamide	-40°C up to + 120° C	colour black
Rubber	-50°C up to + 120° C	colour black
Aluminium	up to + 300° C	

All metal parts available also in stainless steel.

Other materials upon request.

Stainless steel qualities

Stainless steel 1.4401/1.4571 (AISI 316/316 TI), resistant against rust and acid.

#### Accessories material:

Steel. Screws as well as cover plates of series A and B are galvanized.

Rail-supports are also available with zinc plated surface.

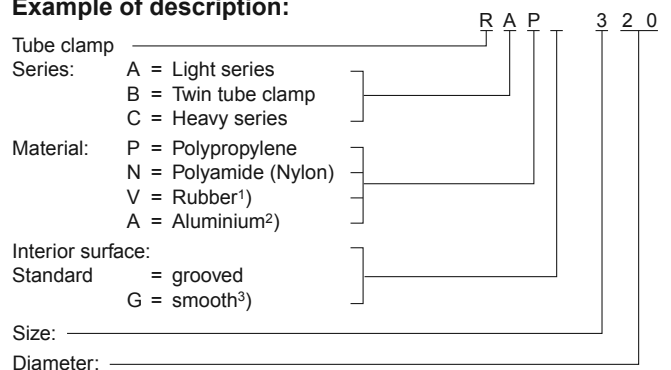
#### Resistance to stress:

The remarkable features of **Tube Clamps** are their considerable re-set capability, high tensile strength, as well as their very high output strength and excellent resistance to cold. The choice of design and clamp material depends on the specific demands of the mechanical and thermal requirements.

#### Order code:

The order code for clamp halves as well as the reference No. for complete tube clamps incorporates the serial indication, material description and interior surface.

#### Example of description:



<sup>1)</sup>Rubber only available for series A and B, inside smooth and series C grooved design

<sup>2)</sup>Aluminium only available for series A size 1 to 6 and series C size 1 to 8

<sup>3)</sup>Smooth interior surface in series C only to size 4  
Aluminium clamps only available in a grooved design  
Inside smooth series A only size 1 to 6

#### Registration:

German Lloyd, Lloyd s Register of Shipping and others.

## Tube clamps material properties

### DIN 3015

Mechanical properties		Polypropylene (PP)	Polyamide 6 (PA 6)	Aluminium	Rubber
Density		0.906 g/cm <sup>3</sup>	1.12–1.15g/cm <sup>3</sup>	2.65 g/cm <sup>3</sup>	0.98 g/cm <sup>3</sup>
Flexural deflection	DIN 53452	36 N/mm <sup>2</sup>	130...200 N/mm <sup>2</sup>	70 N/mm <sup>2</sup>	–
Impact resistance	DIN 53453	no break	no break	–	–
Compressive strength	DIN 53454	90 N/mm <sup>2</sup>	120 N/mm <sup>2</sup>	HB 500...600 N/mm <sup>2</sup>	A and B: 64° shore C: 73° shore
Modulus of elasticity	DIN 53452	1500 N/mm <sup>2</sup>	3000 N/mm <sup>2</sup>	70.000 N/mm <sup>2</sup>	–
Tensile strength					A and B: 6.1 N/mm <sup>2</sup> C: 8.5 N/mm <sup>2</sup>
without breakage	DIN 53454	25–35 N/mm <sup>2</sup>	80–90 N/mm <sup>2</sup>	180 N/mm <sup>2</sup>	

Thermal properties					
Temp. resistance		–30 ... + 90° C	–40 ... + 120° C	300° C	–50 ... +120° C

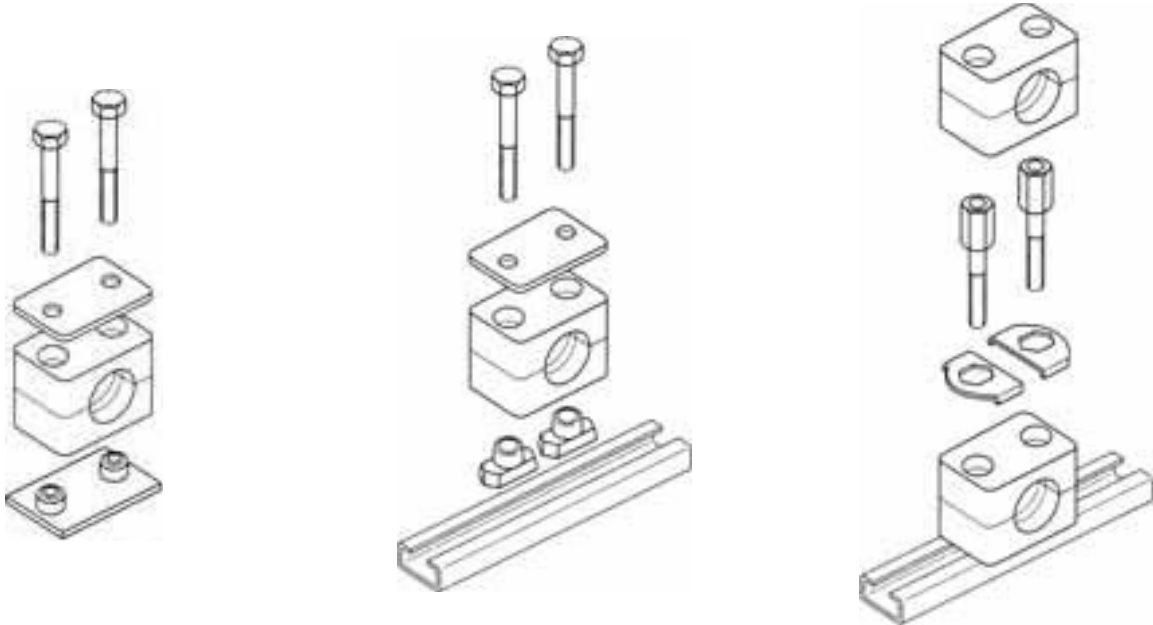
Chemical properties					
Weak acids		limited resistant	limited resistant		resistant
Weak alkalis		limited resistant	limited resistant		resistant
Alcohol		resistant	resistant		resistant
Petrol		limited resistant	resistant		limited resistant
Mineral oils		resistant	resistant		resistant
Other oils		resistant	resistant		resistant

The outlined particulars are approximate values and are only shown for reference, which are not binding, and with regard to possible protection of third parties. They do not exempt you from your own examination of suitability of the products delivered by us. Therefore, these values can only be used in a limited way for guidance only.

The application of the products is carried out outside of our control and, therefore, is exclusively subject to your own area of responsibility. Any claim however would be limited for all damages to the value of the goods supplied by us and in use by you.

It goes without saying, that we guarantee the perfect quality of our products according to our general sales and delivery conditions.

## Tube clamps assembly instruction



### Assembly:

#### Assembly on to metal welding plates

Place welding plates on a base appropriate for the load. Make sure that the clamps are properly aligned. Clamp lower clamp half onto welding plate, insert tube, place upper clamp half onto lower half and fasten with the screws. Attention must be paid to the bias (after completed assembly, clamp halves may not be in contact)! Do not weld with fitted plastic clamp!

Extended welding plates may be screw-fastened to the base.

#### Assembly on support rails

Support rails are available in four different heights and come in pieces of 1 m or 2 m length, as required.

Weld on support rail or screw-fasten with fastening angle bracket. Insert support rail nuts in rail and turn until stoppage. For heavy duty construction series, nuts are simply pushed in. Clamp lower clamp half on support rail nuts, insert tube, place upper clamp half onto lower half and fasten with the screws. Before fastening the screws the clamp may still be positioned. Attention must be paid to the bias (after completed assembly, the clamp halves may not be in contact)!

#### Construction assembly

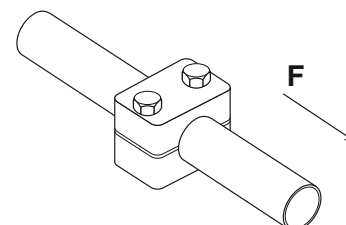
Clamps allow the assembly of multiple clamps of the same construction size and of different tube diameters one above the other. The construction assembly is carried out with special fixing screws that are secured against twisting by applying a locking plate. Clamp lower clamp half on welding plate or support rail respectively, insert tube, place upper clamp half on lower half and fasten with fixing screws. The fixing screw juts out from the upper clamp half. The application of a locking plate securely fastens the fixing screw and prevents twisting. Clamp on second clamp half on to the fixing screws etc.

**Tube clamps**

DIN 3015

**Screw tightening torque and axial pipe shearing forces**

The indicated screw tightening torque and axial pipe shearing forces refer to the assembly with cover plates and outside hexagon bolts according to DIN 931/933. The axial pipe shearing force (according to DIN 3015, part 10) is an average value, determined by three tests made with a steel pipe according to DIN 2448 of St. 37, for which static friction is assumed (temperature during tests: 23°C). When loading the clamp with the indicated test force (F) in axial pipe direction, the pipe must not slide in the clamp.


**Light series (DIN 3015, part 1)**

Size	Fixing screw DIN 931/933	Polypropylene		Polyamide		Aluminium	
		Screw tightening torque (Mn)	Pipe shearing force F (kN)	Screw tightening torque (Mn)	Pipe shearing force F (kN)	Screw tightening torque (Mn)	Pipe shearing force F (kN)
0	M6	8	0.6	10	0.6		
1	M6	8	1.1	10	0.7	12	4.2
2	M6	8	1.2	10	0.8	12	4.3
3	M6	8	1.4	10	1.6	12	4.8
4	M6	8	1.5	10	1.7	12	5.0
5	M6	8	1.9	10	2.0	12	7.3
6	M6	8	2.0	10	2.5	12	8.9

**Heavy series (DIN 3015, part 2)**

Size	Fixing screw DIN 931/933	Polypropylene		Polyamide		Aluminium	
		Screw tightening torque (Mn)	Pipe shearing force F (kN)	Screw tightening torque (Mn)	Pipe shearing force F (kN)	Screw tightening torque (Mn)	Pipe shearing force F (kN)
1	M10	12	1.6	20	4.2	30	12.1
2	M10	12	2.9	20	4.5	30	15.1
3	M10	15	3.3	25	5.1	35	15.5
4	M12	30	8.2	40	9.3	55	29.4
5	M16	45	11.0	55	15.8	120	34.8
6	M20	80	14.0	150	21.0	220	50.0
7	M24	110	28.0	200	32.0	250	70.6
8	M30	180	40.0	350	48.0	500	84.5

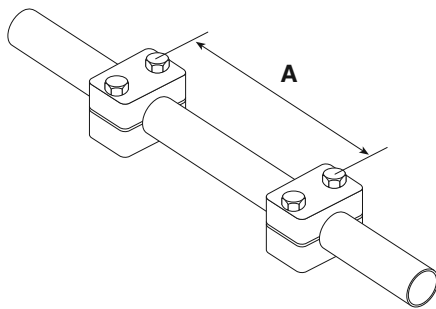
**Double series (DIN 3015, part 3)**

Size	Fixing screw DIN 931/933	Polypropylene		Polyamide	
		Screw tightening torque (Mn)	Pipe shearing force F (kN)	Screw tightening torque (Mn)	Pipe shearing force F (kN)
1	M6	5	0.9	5	0.9
2	M8	12	2.1	12	2.2
3	M8	12	1.9	12	2.0
4	M8	12	2.7	12	2.9
5	M8	8	1.7	8	2.5

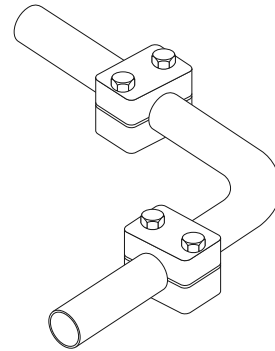
**Tube clamps**

DIN 3015

**Recommended clamp pitch**



**Pipe bend assembly**



The clamp pitches corresponding to respective outside pipe diameters are standard for static loads.

Pipe bends must be fixed with pipe clamps immediately in front of and behind the bend.

Outside pipe diameter (mm)	Clamp pitch A (m)
6.0 – 12.7	1.0
12.7 – 22.0	1.2
22.0 – 32.0	1.5
32.0 – 38.0	2.0
38.0 – 57.0	2.7
57.0 – 75.0	3.0
75.0 – 76.1	3.5
76.1 – 88.9	3.7
88.9 – 102.0	4.0
102.0 – 114.0	4.5
114.0 – 168.0	5.0
168.0 – 219.0	6.0

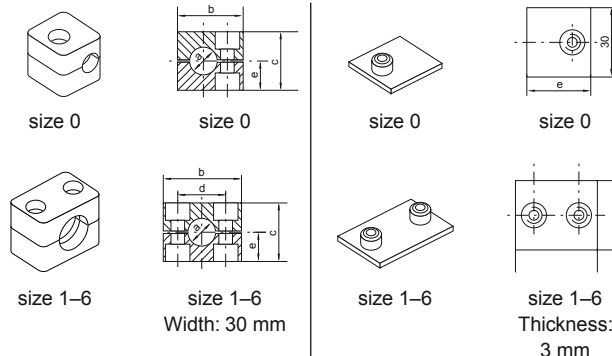
## Tube clamps series A (Light construction series) – Components

DIN 3015, part 1

### Order code for clamp halves:

Polypropylene – **RAP**  
 Inside smooth – **RAPG**  
 Polyamide 6 – **RAN**  
 Inside smooth – **RANG**  
 Rubber – **RAVG**  
 Aluminium – **RAA<sup>1)</sup>**

(Please exchange as required standard abbreviation  
 RAP in column for “clamp halves”)



clamp size	Tube O.D. mm a	Tube NB	Tube O.D.	1 part 2 clamp halves		welding plate, short				
				RAP... Order code	dimensions: b c d e	APK A... Order code	dimensions: d e			
0	6	G <sup>1</sup> / <sub>8</sub>	<sup>1</sup> / <sub>4</sub>	<b>RAP006X</b>	28 27 – 13.5	<b>APKA0X</b>	– 30			
	6.4							<b>RAP006.4X</b>		
	8								<b>RAP008X</b>	
	9.5									<b>RAP009.5X</b>
	10									
12	<b>RAP012X</b>									
1	6	G <sup>1</sup> / <sub>8</sub>	<sup>1</sup> / <sub>4</sub>	<b>RAP106X</b>	34 27 20 13.5	<b>APKA1X</b>	20 36			
	6.4							<b>RAP106.4X</b>		
	8								<b>RAP108X</b>	
	9.5									<b>RAP109.5X</b>
	10									
12	<b>RAP112X</b>									
2	12.7	G <sup>1</sup> / <sub>4</sub>	<sup>1</sup> / <sub>2</sub>	<b>RAP212.7X</b>	40 33 26 16.5	<b>APKA2X</b>	26 42			
	13.5							<b>RAP213.5X</b>		
	14								<b>RAP214X</b>	
	15	<b>RAP215X</b>								
	16		<b>RAP216X</b>							
17.2	<b>RAP217.2X</b>									
18	G <sup>3</sup> / <sub>8</sub>	<sup>5</sup> / <sub>8</sub>	<b>RAP218X</b>							
3	19	G <sup>1</sup> / <sub>2</sub>	<sup>3</sup> / <sub>4</sub>	<b>RAP319X</b>	48 35 33 17.5	<b>APKA3X</b>	33 50			
	20							<b>RAP320X</b>		
	21.3								<b>RAP321.3X</b>	
	22		<b>RAP322X</b>							
	23			<b>RAP323X</b>						
25	<b>RAP325X</b>									
4	26.9	G <sup>3</sup> / <sub>4</sub>	1	<b>RAP426.9X</b>	57 42 40 21	<b>APKA4X</b>	40 59			
	28							<b>RAP428X</b>		
	30								<b>RAP430X</b>	
5	32	G1	1 <sup>1</sup> / <sub>4</sub>	<b>RAP532X</b>	70 58 52 29	<b>APKA5X</b>	52 72			
	33.7							<b>RAP533.7X</b>		
	35								<b>RAP535X</b>	
	38	<b>RAP538X</b>								
	40		<b>RAP540X</b>							
42	<b>RAP542X</b>									
6	44.5	G1 <sup>1</sup> / <sub>2</sub>	1 <sup>3</sup> / <sub>4</sub>	<b>RAP644.5X</b>	86 66 66 33	<b>APKA6X</b>	66 88			
	45							<b>RAP645X</b>		
	48								<b>RAP648X</b>	
	50	<b>RAP650X</b>								
	50.8		<b>RAP650.8X</b>							
	52	<b>RAP652X</b>								
	55		<b>RAP655X</b>							
57	<b>RAP657X</b>									

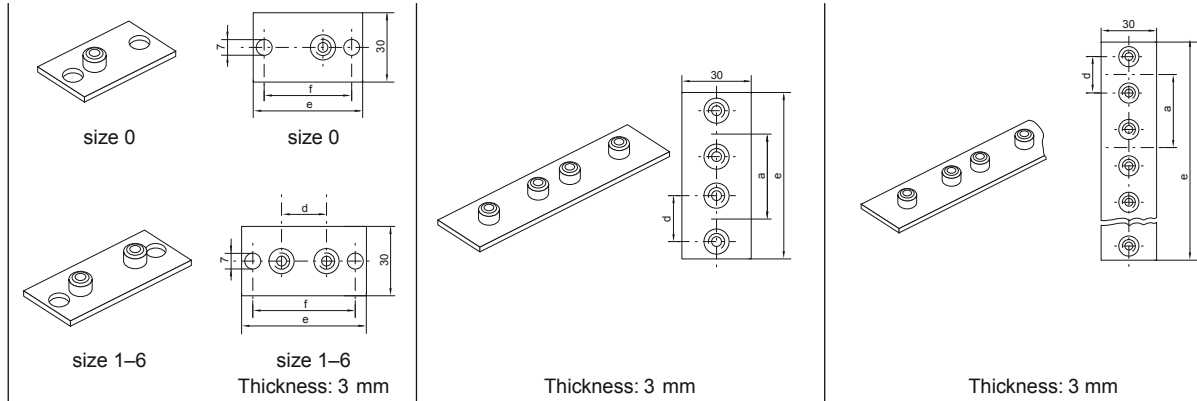
When assembling solid rubber clamps, covering plates, hexagon screws and locking washers must be used. All metal parts available in stainless steel.

<sup>1)</sup> Aluminium only sizes 1 to 6.



## Tube clamps series A (Light construction series) – Components

DIN 3015, part 1

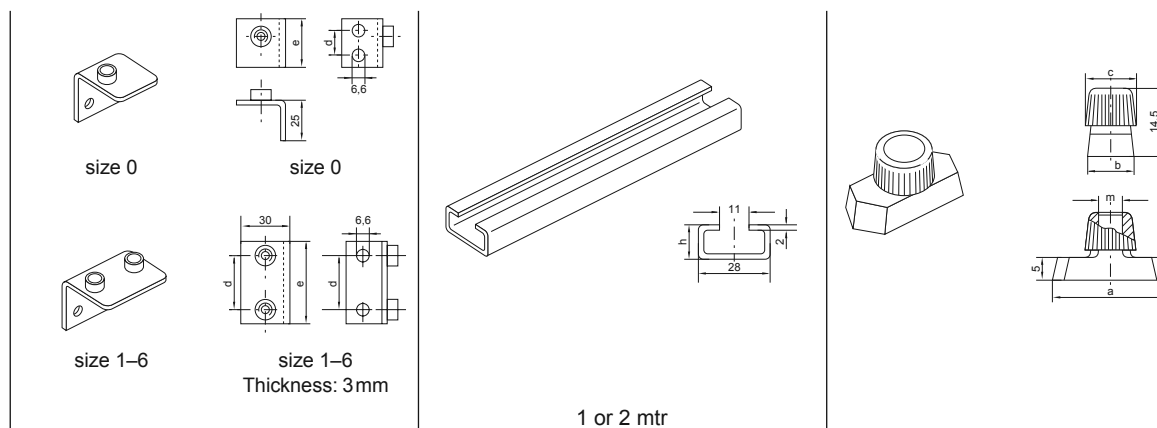


clamp size	weld/screw plate, long			twin welding plate			multiple weld plate					
	APL A... Order code	dimensions: d e f			APD A... Order code	dimensions: d a e			APR A... Order code	dimensions: d a e		
0	<b>APLA0X</b>	–	58	44	<b>APDA0X</b>	–	30	61	<b>APRA0X</b> (10 clamps)	–	30	298
1	<b>APLA1X</b>	20	64	50	<b>APDA1X</b>	20	35	69	<b>APRA1X</b> (10 clamps)	20	35	349
2	<b>APLA2X</b>	26	70	56	<b>APDA2X</b>	26	43	86	<b>APRA2X</b> (10 clamps)	26	43	427
3	<b>APLA3X</b>	33	78	64	<b>APDA3X</b>	33	52	104	<b>APRA3X</b> (10 clamps)	33	52	516
4	<b>APLA4X</b>	40	87	73	<b>APDA4X</b>	40	60	117	<b>APRA4X</b> (5 clamps)	40	60	297
5	<b>APLA5X</b>	52	100	86	<b>APDA5X</b>	52	75	145	<b>APRA5X</b> (5 clamps)	52	75	370
6	<b>APLA6X</b>	66	116	100	<b>APDA6X</b>	66	90	176	<b>APRA6X</b> (5 clamps)	66	90	446

Metal parts also available in stainless steel.

## Tube clamps series A (Light construction series) – Components

DIN 3015, part 1

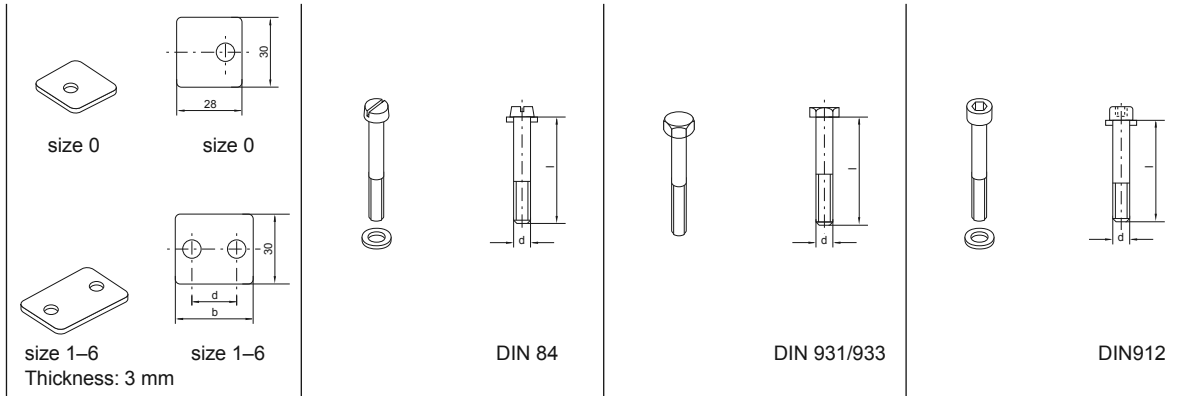


clamp size	weld plate, angled		mounting rail		rail nut				
	APW A... Order code	dimensions: d e	TS...A/B Order code	dimensions: h	TM...A/B1 Order code	dimensions: a b c m			
0	APWA0X	14 30	<b>TS11A/B1X</b> <b>TS11A/B2X</b> <b>TS14A/B1X</b> <b>TS14A/B2X</b> <b>TS30A/B1X</b> <b>TS30A/B2X</b>	TS11: 11 TS14: 14 TS30: 30	<b>TMA/TMB1VERZX</b>	25.4 10.4 12 M6			
1	APWA1X	20 36							
2	APWA2X	26 42							
3	APWA3X	33 50							
4	APWA4X	40 59							
5	APWA5X	52 72							
6	APWA6X	66 88							

Metal parts also available in stainless steel.

**Tube clamps series A (Light construction series) – Components**

DIN 3015, part 1

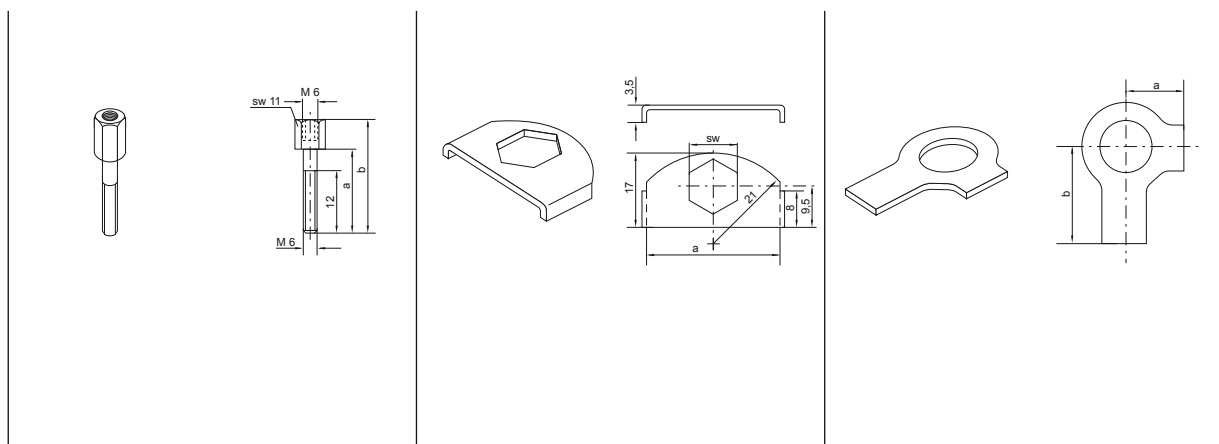


clamp size	cover plate		slot head		hexagon head		socket head	
	DP A... Order code	dimensions: b d	SL A... Order code	dimensions: d × L	SSL A... Order code	dimensions: d × L	IS A... Order code	dimensions: d × L
0	<b>DPA0X</b>	– –	<b>SLA0X</b>	M 6 × 20	<b>SSL10X</b>	M 6 × 30	<b>ISA0X</b>	M 6 × 20
1	<b>DPA1X</b>	34 20	<b>SLA1X</b>	M 6 × 20	<b>SSLA0X</b>	M 6 × 30	<b>ISA1X</b>	M 6 × 20
2	<b>DPA2X</b>	40 26	<b>SLA2X</b>	M 6 × 25	<b>SSLA2/SSB1X</b>	M 6 × 35	<b>ISA2X</b>	M 6 × 25
3	<b>DPA3X</b>	48 33	<b>SLA3X</b>	M 6 × 30	<b>SSLA3X</b>	M 6 × 40	<b>ISA3X</b>	M 6 × 30
4	<b>DPA4X</b>	57 40	<b>SLA4X</b>	M 6 × 35	<b>SSLA4X</b>	M 6 × 45	<b>ISA4X</b>	M 6 × 35
5	<b>DPA5X</b>	70 52	<b>SLA5X</b>	M 6 × 50	<b>SSLA5X</b>	M 6 × 60	<b>ISA5X</b>	M 6 × 50
6	<b>DPA6X</b>	86 66	<b>SLA6X</b>	M 6 × 60	<b>SSLA6X</b>	M 6 × 70	<b>ISA6X</b>	M 6 × 60

All metal parts available in stainless steel.

## Tube clamps series A (Light construction series) – Components

DIN 3015, part 1



clamp size	stacking <sup>1)</sup>		locking plate <sup>1)</sup>		locking washer <sup>2)</sup>	
	AS A... Order code	dimensions: a      b	SB A Order code	dimensions: a      SW	US A Order code	dimensions: a      b
0	<b>ASA0X</b> (AS B1X)	20      34	<b>SBAX</b>	30      11	<b>USA/USB1X</b>	9      18
1	<b>ASA0X</b> (ASB1X)	20      34				
2	<b>ASA2X</b>	25      39				
3	<b>ASA3X</b>	30      44				
4	<b>ASA4X</b>	35      49				
5	<b>ASA5X</b>	50      64				
6	<b>ASA6X</b>	60      74				

<sup>1)</sup> The use of stacking bolts necessitates the use of locking plates in the construction assembly.

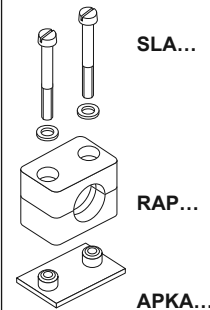
<sup>2)</sup> When assembling solid rubber clamps, cover plates, hexagon screws and locking washers must be used. Metal parts also available in stainless steel.

**Tube clamps series A (Light construction series) – Complete range**

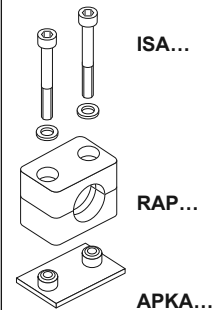
Polypropylene – **RAP**  
 Inside smooth – **RAPG**  
 Polyamide 6 – **RAN**  
 Inside smooth – **RANG**  
 Rubber – **RAVG\***  
 Aluminium – **RAA**

(As required please exchange standard abbreviation RAP in column for "Order code")

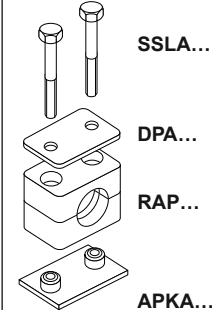
2 clamp halves, weld plate **short**, slot head bolts and bushes



2 clamp halves, weld plate **short**, socket head bolts and bushes



2 clamp halves, weld plate **short**, cover plate hex. head bolts



clamp size	Tube O.D. mm	Tube NB	Tube O.D.	Order code	Order code	Order code
0 <sup>1)</sup>	6	G <sup>1</sup> / <sub>8</sub>	1/4 5/16 3/8	RAP1-006	RAP2-006	RAP3-006
	6.4			RAP1-006.4	RAP2-006.4	RAP3-006.4
	8			RAP1-008	RAP2-008	RAP3-008
	9.5			RAP1-009.5	RAP2-009.5	RAP3-009.5
	10			RAP1-010	RAP2-010	RAP3-010
	12			RAP1-012	RAP2-012	RAP3-012
1	6	G <sup>1</sup> / <sub>8</sub>	1/4 5/16 3/8	RAP1-106	RAP2-106	RAP3-106
	6.4			RAP1-106.4	RAP2-106.4	RAP3-106.4
	8			RAP1-108	RAP2-108	RAP3-108
	9.5			RAP1-109.5	RAP2-109.5	RAP3-109.5
	10			RAP1-110	RAP2-110	RAP3-110
	12			RAP1-112	RAP2-112	RAP3-112
2	12.7	G <sup>1</sup> / <sub>4</sub>	1/2	RAP1-212.7	RAP2-212.7	RAP3-212.7
	13.5			RAP1-213.5	RAP2-213.5	RAP3-213.5
	14			RAP1-214	RAP2-214	RAP3-214
	15			RAP1-215	RAP2-215	RAP3-215
	16	G <sup>3</sup> / <sub>8</sub>	5/8	RAP1-216	RAP2-216	RAP3-216
	17.2			RAP1-217.2	RAP2-217.2	RAP3-217.2
	18			RAP1-218	RAP2-218	RAP3-218
3	19	G <sup>1</sup> / <sub>2</sub>	3/4	RAP1-319	RAP2-319	RAP3-319
	20			RAP1-320	RAP2-320	RAP3-320
	21.3			RAP1-321.3	RAP2-321.3	RAP3-321.3
	22			RAP1-322	RAP2-322	RAP3-322
	23			RAP1-323	RAP2-323	RAP3-323
	25			RAP1-325	RAP2-325	RAP3-325
4	26.9	G <sup>3</sup> / <sub>4</sub>	1	RAP1-426.9	RAP2-426.9	RAP3-426.9
	28			RAP1-428	RAP2-428	RAP3-428
	30			RAP1-430	RAP2-430	RAP3-430
5	32	G1	1 1/4	RAP1-532	RAP2-532	RAP3-532
	33.7			RAP1-533.7	RAP2-533.7	RAP3-533.7
	35			RAP1-535	RAP2-535	RAP3-535
	38	G1 1/4	1 1/2	RAP1-538	RAP2-538	RAP3-538
	40			RAP1-540	RAP2-540	RAP3-540
	42			RAP1-542	RAP2-542	RAP3-542
6	44.5	G1 1/2	1 3/4	RAP1-644.5	RAP2-644.5	RAP3-644.5
	45			RAP1-645	RAP2-645	RAP3-645
	48			RAP1-648	RAP2-648	RAP3-648
	50			RAP1-650	RAP2-650	RAP3-650
	50.8	2	2	RAP1-650.8	RAP2-650.8	RAP3-650.8
	52			RAP1-652	RAP2-652	RAP3-652
	55			RAP1-655	RAP2-655	RAP3-655
	57			RAP1-657	RAP2-657	RAP3-657
	2 1/4					

**Delivery in unassembled individual components.**

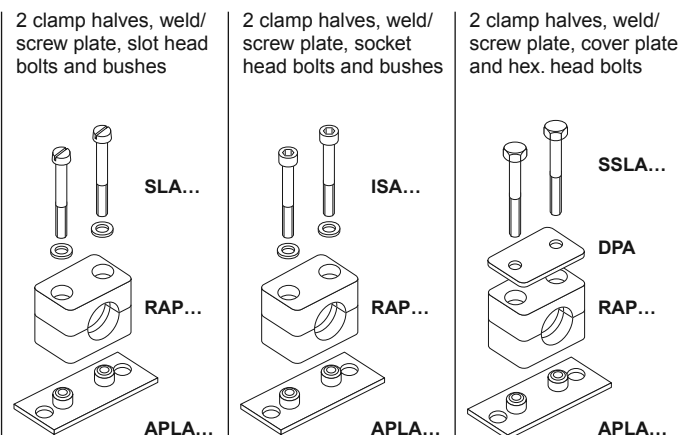
<sup>1)</sup> Contrary to the illustration size 0 clamps are secured by only one screw.

\* Only with cover plate, hexagon screws and locking washers.

**Tube clamps series A (Light construction series) – Complete range**

Polypropylene – **RAP**  
 Inside smooth – **RAPG**  
 Polyamide 6 – **RAN**  
 Inside smooth – **RANG**  
 Rubber – **RAVG\***  
 Aluminium – **RAA**

(As required please exchange standard abbreviation RAP in column for "Order code")



clamp size	Tube O.D. mm	Tube NB	Tube O.D.	Order code	Order code	Order code
0 <sup>1)</sup>	6	G <sup>1</sup> / <sub>8</sub>	1/4	<b>RAP4-006</b>	<b>RAP5-006</b>	<b>RAP6-006</b>
	6.4			<b>RAP4-006.4</b>	<b>RAP5-006.4</b>	<b>RAP6-006.4</b>
	8			<b>RAP4-008</b>	<b>RAP5-008</b>	<b>RAP6-008</b>
	9.5			<b>RAP4-009.5</b>	<b>RAP5-009.5</b>	<b>RAP6-009.5</b>
	10			<b>RAP4-010</b>	<b>RAP5-010</b>	<b>RAP6-010</b>
	12			<b>RAP4-012</b>	<b>RAP5-012</b>	<b>RAP6-012</b>
1	6	G <sup>1</sup> / <sub>8</sub>	1/4	<b>RAP4-106</b>	<b>RAP5-106</b>	<b>RAP6-106</b>
	6.4			<b>RAP4-106.4</b>	<b>RAP5-106.4</b>	<b>RAP6-106.4</b>
	8			<b>RAP4-108</b>	<b>RAP5-108</b>	<b>RAP6-108</b>
	9.5			<b>RAP4-109.5</b>	<b>RAP5-109.5</b>	<b>RAP6-109.5</b>
	10			<b>RAP4-110</b>	<b>RAP5-110</b>	<b>RAP6-110</b>
	12			<b>RAP4-112</b>	<b>RAP5-112</b>	<b>RAP6-112</b>
2	12.7	G <sup>1</sup> / <sub>4</sub>	1/2	<b>RAP4-212.7</b>	<b>RAP5-212.7</b>	<b>RAP6-212.7</b>
	13.5			<b>RAP4-213.5</b>	<b>RAP5-213.5</b>	<b>RAP6-213.5</b>
	14			<b>RAP4-214</b>	<b>RAP5-214</b>	<b>RAP6-214</b>
	15	G <sup>3</sup> / <sub>8</sub>	5/8	<b>RAP4-215</b>	<b>RAP5-215</b>	<b>RAP6-215</b>
	16			<b>RAP4-216</b>	<b>RAP5-216</b>	<b>RAP6-216</b>
	17.2			<b>RAP4-217.2</b>	<b>RAP5-217.2</b>	<b>RAP6-217.2</b>
18	<b>RAP4-218</b>	<b>RAP5-218</b>	<b>RAP6-218</b>			
3	19	G <sup>1</sup> / <sub>2</sub>	3/4	<b>RAP4-319</b>	<b>RAP5-319</b>	<b>RAP6-319</b>
	20			<b>RAP4-320</b>	<b>RAP5-320</b>	<b>RAP6-320</b>
	21.3			<b>RAP4-321.3</b>	<b>RAP5-321.3</b>	<b>RAP6-321.3</b>
	22			<b>RAP4-322</b>	<b>RAP5-322</b>	<b>RAP6-322</b>
	23			<b>RAP4-323</b>	<b>RAP5-323</b>	<b>RAP6-323</b>
	25			<b>RAP4-325</b>	<b>RAP5-325</b>	<b>RAP6-325</b>
4	26.9	G <sup>3</sup> / <sub>4</sub>	1	<b>RAP4-426.9</b>	<b>RAP5-426.9</b>	<b>RAP6-426.9</b>
	28			<b>RAP4-428</b>	<b>RAP5-428</b>	<b>RAP6-428</b>
	30			<b>RAP4-430</b>	<b>RAP5-430</b>	<b>RAP6-430</b>
5	32	G1	1 1/4	<b>RAP4-532</b>	<b>RAP5-532</b>	<b>RAP6-532</b>
	33.7			<b>RAP4-533.7</b>	<b>RAP5-533.7</b>	<b>RAP6-533.7</b>
	35			<b>RAP4-535</b>	<b>RAP5-535</b>	<b>RAP6-535</b>
	38	G1 1/4	1 1/2	<b>RAP4-538</b>	<b>RAP5-538</b>	<b>RAP6-538</b>
	40			<b>RAP4-540</b>	<b>RAP5-540</b>	<b>RAP6-540</b>
	42			<b>RAP4-542</b>	<b>RAP5-542</b>	<b>RAP6-542</b>
6	44.5	G1 1/2	1 3/4	<b>RAP4-644.5</b>	<b>RAP5-644.5</b>	<b>RAP6-644.5</b>
	45			<b>RAP4-645</b>	<b>RAP5-645</b>	<b>RAP6-645</b>
	48			<b>RAP4-648</b>	<b>RAP5-648</b>	<b>RAP6-648</b>
	50			<b>RAP4-650</b>	<b>RAP5-650</b>	<b>RAP6-650</b>
	50.8	2	2	<b>RAP4-650.8</b>	<b>RAP5-650.8</b>	<b>RAP6-650.8</b>
	52			<b>RAP4-652</b>	<b>RAP5-652</b>	<b>RAP6-652</b>
	55			<b>RAP4-655</b>	<b>RAP5-655</b>	<b>RAP6-655</b>
	57			<b>RAP4-657</b>	<b>RAP5-657</b>	<b>RAP6-657</b>
			2 1/4			

**Delivery in unassembled individual components.**

<sup>1)</sup> Contrary to the illustration size 0 clamps are secured by only one screw.

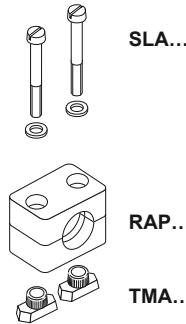
\* Only with cover plate, hexagon screws and locking washers.

**Tube clamps series A (Light construction series) – Complete range**

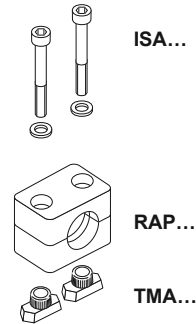
Polypropylene – **RAP**  
 Inside smooth – **RAPG**  
 Polyamide 6 – **RAN**  
 Inside smooth – **RANG**  
 Rubber – **RAVG\***  
 Aluminium – **RAA**

(As required please exchange standard abbreviation RAP in column for "Order code")

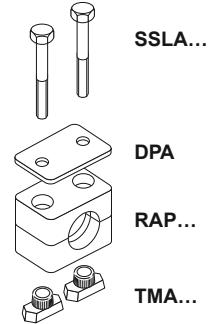
2 clamp halves, rail nuts, slot head bolts and bushes



2 clamp halves, rail nuts, socket head bolts and bushes



2 clamp halves, rail nuts, cover plate and hex. head bolts



clamp size	Tube O.D. mm	Tube NB	Tube O.D.	Order code	Order code	Order code
0 <sup>1)</sup>	6	G <sup>1</sup> / <sub>8</sub>	1/4	<b>RAP9-006</b>	<b>RAP10-006</b>	<b>RAP12-006</b>
	6.4			<b>RAP9-006.4</b>	<b>RAP10-006.4</b>	<b>RAP12-006.4</b>
	8			<b>RAP9-008</b>	<b>RAP10-008</b>	<b>RAP12-008</b>
	9.5			<b>RAP9-009.5</b>	<b>RAP10-009.5</b>	<b>RAP12-009.5</b>
	10			<b>RAP9-010</b>	<b>RAP10-010</b>	<b>RAP12-010</b>
	12		3/8	<b>RAP9-012</b>	<b>RAP10-012</b>	<b>RAP12-012</b>
1	6	G <sup>1</sup> / <sub>8</sub>	1/4	<b>RAP9-106</b>	<b>RAP10-106</b>	<b>RAP12-106</b>
	6.4			<b>RAP9-106.4</b>	<b>RAP10-106.4</b>	<b>RAP12-106.4</b>
	8			<b>RAP9-108</b>	<b>RAP10-108</b>	<b>RAP12-108</b>
	9.5			<b>RAP9-109.5</b>	<b>RAP10-109.5</b>	<b>RAP12-109.5</b>
	10			<b>RAP9-110</b>	<b>RAP10-110</b>	<b>RAP12-110</b>
	12		3/8	<b>RAP9-112</b>	<b>RAP10-112</b>	<b>RAP12-112</b>
2	12.7	G <sup>1</sup> / <sub>4</sub>	1/2	<b>RAP9-212.7</b>	<b>RAP10-212.7</b>	<b>RAP12-212.7</b>
	13.5			<b>RAP9-213.5</b>	<b>RAP10-213.5</b>	<b>RAP12-213.5</b>
	14			<b>RAP9-214</b>	<b>RAP10-214</b>	<b>RAP12-214</b>
	15	G <sup>3</sup> / <sub>8</sub>	5/8	<b>RAP9-215</b>	<b>RAP10-215</b>	<b>RAP12-215</b>
	16			<b>RAP9-216</b>	<b>RAP10-216</b>	<b>RAP12-216</b>
	17.2			<b>RAP9-217.2</b>	<b>RAP10-217.2</b>	<b>RAP12-217.2</b>
	18			<b>RAP9-218</b>	<b>RAP10-218</b>	<b>RAP12-218</b>
3	19	G <sup>1</sup> / <sub>2</sub>	3/4	<b>RAP9-319</b>	<b>RAP10-319</b>	<b>RAP12-319</b>
	20			<b>RAP9-320</b>	<b>RAP10-320</b>	<b>RAP12-320</b>
	21.3			<b>RAP9-321.3</b>	<b>RAP10-321.3</b>	<b>RAP12-321.3</b>
	22			<b>RAP9-322</b>	<b>RAP10-322</b>	<b>RAP12-322</b>
	23			<b>RAP9-323</b>	<b>RAP10-323</b>	<b>RAP12-323</b>
	25		1	<b>RAP9-325</b>	<b>RAP10-325</b>	<b>RAP12-325</b>
4	26.9	G <sup>3</sup> / <sub>4</sub>		<b>RAP9-426.9</b>	<b>RAP10-426.9</b>	<b>RAP12-426.9</b>
	28			<b>RAP9-428</b>	<b>RAP10-428</b>	<b>RAP12-428</b>
	30			<b>RAP9-430</b>	<b>RAP10-430</b>	<b>RAP12-430</b>
5	32	G1	1 1/4	<b>RAP9-532</b>	<b>RAP10-532</b>	<b>RAP12-532</b>
	33.7			<b>RAP9-533.7</b>	<b>RAP10-533.7</b>	<b>RAP12-533.7</b>
	35			<b>RAP9-535</b>	<b>RAP10-535</b>	<b>RAP12-535</b>
	38	G1 1/4	1 1/2	<b>RAP9-538</b>	<b>RAP10-538</b>	<b>RAP12-538</b>
	40			<b>RAP9-540</b>	<b>RAP10-540</b>	<b>RAP12-540</b>
	42			<b>RAP9-542</b>	<b>RAP10-542</b>	<b>RAP12-542</b>
6	44.5	G1 1/2	1 3/4	<b>RAP9-644.5</b>	<b>RAP10-644.5</b>	<b>RAP12-644.5</b>
	45			<b>RAP9-645</b>	<b>RAP10-645</b>	<b>RAP12-645</b>
	48			<b>RAP9-648</b>	<b>RAP10-648</b>	<b>RAP12-648</b>
	50			<b>RAP9-650</b>	<b>RAP10-650</b>	<b>RAP12-650</b>
	50.8		2	<b>RAP9-650.8</b>	<b>RAP10-650.8</b>	<b>RAP12-650.8</b>
	52			<b>RAP9-652</b>	<b>RAP10-652</b>	<b>RAP12-652</b>
	55			<b>RAP9-655</b>	<b>RAP10-655</b>	<b>RAP12-655</b>
	57			<b>RAP9-657</b>	<b>RAP10-657</b>	<b>RAP12-657</b>
			2 1/4			

**Delivery in unassembled individual components.**

<sup>1)</sup> Contrary to the illustration size 0 clamps are secured by only one screw.

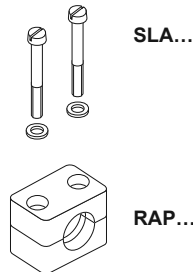
\* Only with cover plate, hexagon screws and locking washers.

## Tube clamps series A – Complete range

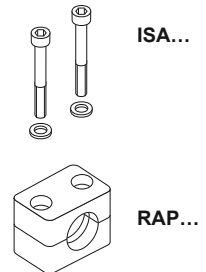
Polypropylene – **RAP**  
 Inside smooth – **RAPG**  
 Polyamide 6 – **RAN**  
 Inside smooth – **RANG**  
 Rubber – **RAVG\***  
 Aluminium – **RAA**

(As required please exchange standard abbreviation RAP in column for "Order code")

2 clamp halves, slot heads and bushes



2 clamp halves, socket head bolts and bushes



clamp size	Tube O.D. mm	Tube NB	Tube O.D.	Order code	Order code
0 <sup>1)</sup>	6	G <sup>1</sup> / <sub>8</sub>	1/4	<b>RAP13-006</b>	<b>RAP14-006</b>
	6.4			<b>RAP13-006.4</b>	<b>RAP14-006.4</b>
	8			<b>RAP13-008</b>	<b>RAP14-008</b>
	9.5			<b>RAP13-009.5</b>	<b>RAP14-009.5</b>
	10			<b>RAP13-010</b>	<b>RAP14-010</b>
	12			<b>RAP13-012</b>	<b>RAP14-012</b>
1	6	G <sup>1</sup> / <sub>8</sub>	1/4	<b>RAP13-106</b>	<b>RAP14-106</b>
	6.4			<b>RAP13-106.4</b>	<b>RAP14-106.4</b>
	8			<b>RAP13-108</b>	<b>RAP14-108</b>
	9.5			<b>RAP13-109.5</b>	<b>RAP14-109.5</b>
	10			<b>RAP13-110</b>	<b>RAP14-110</b>
	12			<b>RAP13-112</b>	<b>RAP14-112</b>
2	12.7	G <sup>1</sup> / <sub>4</sub>	1/2	<b>RAP13-212.7</b>	<b>RAP14-212.7</b>
	13.5			<b>RAP13-213.5</b>	<b>RAP14-213.5</b>
	14			<b>RAP13-214</b>	<b>RAP14-214</b>
	15	G <sup>3</sup> / <sub>8</sub>	5/8	<b>RAP13-215</b>	<b>RAP14-215</b>
	16			<b>RAP13-216</b>	<b>RAP14-216</b>
	17.2			<b>RAP13-217.2</b>	<b>RAP14-217.2</b>
18	<b>RAP13-218</b>	<b>RAP14-218</b>			
3	19	G <sup>1</sup> / <sub>2</sub>	3/4	<b>RAP13-319</b>	<b>RAP14-319</b>
	20			<b>RAP13-320</b>	<b>RAP14-320</b>
	21.3			<b>RAP13-321.3</b>	<b>RAP14-321.3</b>
	22			<b>RAP13-322</b>	<b>RAP14-322</b>
	23			<b>RAP13-323</b>	<b>RAP14-323</b>
	25			<b>RAP13-325</b>	<b>RAP14-325</b>
4	26.9	G <sup>3</sup> / <sub>4</sub>		<b>RAP13-426.9</b>	<b>RAP14-426.9</b>
	28			<b>RAP13-428</b>	<b>RAP14-428</b>
	30			<b>RAP13-430</b>	<b>RAP14-430</b>
5	32	G1	1 1/4	<b>RAP13-532</b>	<b>RAP14-532</b>
	33.7			<b>RAP13-533.7</b>	<b>RAP14-533.7</b>
	35			<b>RAP13-535</b>	<b>RAP14-535</b>
	38	G 1 1/4	1 1/2	<b>RAP13-538</b>	<b>RAP14-538</b>
	40			<b>RAP13-540</b>	<b>RAP14-540</b>
	42			<b>RAP13-542</b>	<b>RAP14-542</b>
6	44.5	G1 1/2	1 3/4	<b>RAP13-644.5</b>	<b>RAP14-644.5</b>
	45			<b>RAP13-645</b>	<b>RAP14-645</b>
	48			<b>RAP13-648</b>	<b>RAP14-648</b>
	50			<b>RAP13-650</b>	<b>RAP14-650</b>
	50.8		2	<b>RAP13-650.8</b>	<b>RAP14-650.8</b>
	52			<b>RAP13-652</b>	<b>RAP14-652</b>
	55			<b>RAP13-655</b>	<b>RAP14-655</b>
	57			<b>RAP13-657</b>	<b>RAP14-657</b>
			2 1/4		

Delivery in unassembled individual components.

<sup>1)</sup> Contrary to the illustration size 0 clamps are secured by only one screw.

\* Only with cover plate, hexagon screws and locking washers.

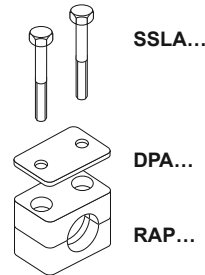


**Tube clamps series A – Complete range**

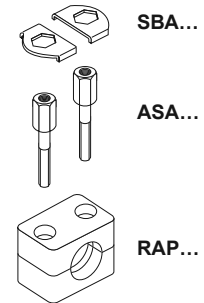
Polypropylene – **RAP**  
 Inside smooth – **RAPG**  
 Polyamide 6 – **RAN**  
 Inside smooth – **RANG**  
 Rubber – **RAVG\***  
 Aluminium – **RAA**

(As required please exchange standard abbreviation RAP in column for "Order code")

2 clamp halves, cover plate and hex. head bolts



2 clamp halves, stacking bolts and locking plate



clamp size	Tube O.D. mm	Tube NB	Tube O.D.	Order code	Order code
0 <sup>1)</sup>	6	G <sup>1</sup> / <sub>8</sub>	1/4	<b>RAP16-006</b>	<b>RAP18-006</b>
	6.4			<b>RAP16-006.4</b>	<b>RAP18-006.4</b>
	8			<b>RAP16-008</b>	<b>RAP18-008</b>
	9.5			<b>RAP16-009.5</b>	<b>RAP18-009.5</b>
	10			<b>RAP16-010</b>	<b>RAP18-010</b>
	12			<b>RAP16-012</b>	<b>RAP18-012</b>
1	6	G <sup>1</sup> / <sub>8</sub>	1/4	<b>RAP16-106</b>	<b>RAP18-106</b>
	6.4			<b>RAP16-106.4</b>	<b>RAP18-106.4</b>
	8			<b>RAP16-108</b>	<b>RAP18-108</b>
	9.5			<b>RAP16-109.5</b>	<b>RAP18-109.5</b>
	10			<b>RAP16-110</b>	<b>RAP18-110</b>
	12			<b>RAP16-112</b>	<b>RAP18-112</b>
2	12.7	G <sup>1</sup> / <sub>4</sub>	1/2	<b>RAP16-212.7</b>	<b>RAP18-212.7</b>
	13.5			<b>RAP16-213.5</b>	<b>RAP18-213.5</b>
	14			<b>RAP16-214</b>	<b>RAP18-214</b>
	15	G <sup>3</sup> / <sub>8</sub>	5/8	<b>RAP16-215</b>	<b>RAP18-215</b>
	16			<b>RAP16-216</b>	<b>RAP18-216</b>
	17.2			<b>RAP16-217.2</b>	<b>RAP18-217.2</b>
18	<b>RAP16-218</b>	<b>RAP18-218</b>			
3	19	G <sup>1</sup> / <sub>2</sub>	3/4	<b>RAP16-319</b>	<b>RAP18-319</b>
	20			<b>RAP16-320</b>	<b>RAP18-320</b>
	21.3			<b>RAP16-321.3</b>	<b>RAP18-321.3</b>
	22			<b>RAP16-322</b>	<b>RAP18-322</b>
	23			<b>RAP16-323</b>	<b>RAP18-323</b>
	25			<b>RAP16-325</b>	<b>RAP18-325</b>
4	26.9	G <sup>3</sup> / <sub>4</sub>	1	<b>RAP16-426.9</b>	<b>RAP18-426.9</b>
	28			<b>RAP16-428</b>	<b>RAP18-428</b>
	30			<b>RAP16-430</b>	<b>RAP18-430</b>
5	32	G1	1 1/4	<b>RAP16-532</b>	<b>RAP18-532</b>
	33.7			<b>RAP16-533.7</b>	<b>RAP18-533.7</b>
	35			<b>RAP16-535</b>	<b>RAP18-535</b>
	38	G 1 1/4	1 1/2	<b>RAP16-538</b>	<b>RAP18-538</b>
	40			<b>RAP16-540</b>	<b>RAP18-540</b>
	42			<b>RAP16-542</b>	<b>RAP18-542</b>
6	44.5	G1 1/2	1 3/4	<b>RAP16-644.5</b>	<b>RAP18-644.5</b>
	45			<b>RAP16-645</b>	<b>RAP18-645</b>
	48			<b>RAP16-648</b>	<b>RAP18-648</b>
	50			<b>RAP16-650</b>	<b>RAP18-650</b>
	50.8		2	<b>RAP16-650.8</b>	<b>RAP18-650.8</b>
	52			<b>RAP16-652</b>	<b>RAP18-652</b>
	55			<b>RAP16-655</b>	<b>RAP18-655</b>
	57			<b>RAP16-657</b>	<b>RAP18-657</b>
			2 1/4		

**Delivery in unassembled individual components.**

<sup>1)</sup> Contrary to the illustration size 0 clamps are secured by only one screw.

\* Only with cover plate, hexagon screws and locking washers.

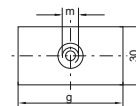
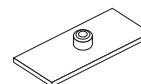
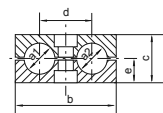
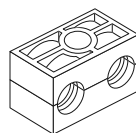
**Tube clamps series B (Twin-tube clamps) – Components**

DIN 3015, part 3

**Order code for clamp halves:**

 Polypropylene – **RBP**  
 Inside smooth – **RBPG**  
 Polyamide 6 – **RBN**  
 Rubber – **RBVG**

(Please exchange standard abbreviation RBP in column for “clamp halves” as required.)



Width: 30 mm

clamp size	Tube O.D. mm	Tube NB	Tube O.D.	1 part 2 clamp halves <sup>1)</sup>					weld plate		
				RBP... Order code	dimensions: b c d e				APB... Order code	dimensions: g m	
1	6	G <sup>1/8</sup>	1/4	<b>RBP106X</b>	36	27	20	13.5	<b>APB1X</b>	37	M 6
	6.4										
	8										
	9.5										
	10										
12	5/16	3/8	Thickness: 3 mm								
2	12.7	G <sup>1/4</sup>	1/2	<b>RBP212.7X</b>	53	26	29	13	<b>APB2X</b>	55	M 8
	13.5										
	14										
	15	G <sup>3/8</sup>	5/8	<b>RBP213.5X</b>	53	26	29	13	<b>APB2X</b>	55	M 8
	16										
	17.2										
18	Thickness: 5 mm										
3	19	G <sup>1/2</sup>	3/4	<b>RBP319X</b>	67	37	36	18.5	<b>APB3X</b>	70	M 8
	20										
	21.3										
	22										
	25										
4	26.9	G <sup>3/4</sup>		<b>RBP426.9X</b>	82	42	45	21	<b>APB4X</b>	85	M 8
	28										
	30										
5	32	G1	1 1/4	<b>RBP532X</b>	106	54	56	27	<b>APB5X</b>	110	M 8
	33.7										
	35	G1 1/4	1 1/2	<b>RBP533.7X</b>	106	54	56	27	<b>APB5X</b>	110	M 8
	38										
	42										

Metal parts also available in stainless steel.

<sup>1)</sup> Twin-tube clamps with different outer tube diameters upon request.

**Tube clamps series B (Twin-tube clamps) – Components**

DIN 3015, part 3

clamp size	multiple weld plate		mounting rail		rail nut				
	APRB... Order code	dimensions: d e Thickness:	TS... A/B Order code	dimensions: h	TM... Order code	dimensions: a b c m			
1	<b>APRB1X</b> (5 clamps)	40 196 Thickness: 3 mm	<b>TS11A/B1X</b> <b>TS11A/B2X</b> <b>TS14A/B1X</b> <b>TS14A/B2X</b> <b>TS30A/B1X</b> <b>TS30A/B2X</b>	TS11: 11 TS14: 14 TS30: 30	<b>TMA/TMB1VERZX</b>	25.4	10.4	12	M 6
2	<b>APRB2X</b> (5 clamps)	58 288 Thickness: 5 mm			<b>TMB2X</b>	25.4 10.4 12 M8			
3	<b>APRB3X</b> (5 clamps)	72 358 Thickness: 5 mm							
4	<b>APRB4X</b> (5 clamps)	90 446 Thickness: 5 mm							
5	<b>APRB5X</b> (5 clamps)	112 558 Thickness: 5 mm							

**Tube clamps series B (Twin-tube clamps) – Components**

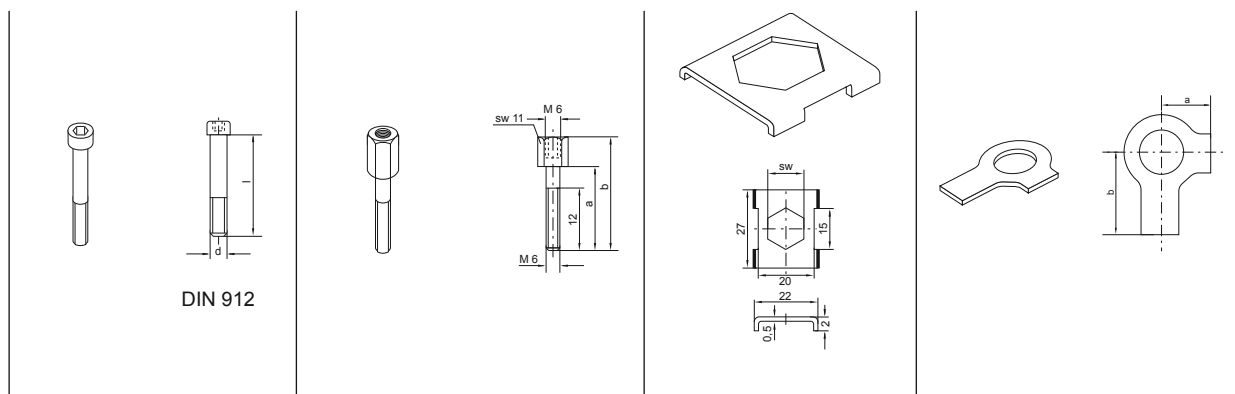
DIN 3015, part 3

clamp size	cover plate		hexagonal head	
	DP B... Order code	dimensions: b d	SS B... Order code	dimensions: d × L
1	<b>DPB1X</b>	34 6.6	<b>SSLA2/SSB1X</b>	M 6 × 35
2	<b>DPB2X</b>	51 8.6	<b>SSB2X</b>	M 8 × 35
3	<b>DPB3X</b>	64 8.6	<b>SSB3X</b>	M 8 × 45
4	<b>DPB4X</b>	78 8.6	<b>SSB4X</b>	M 8 × 50
5	<b>DPB5X</b>	102 8.6	<b>SSB5X</b>	M 8 × 60

Metal parts also available in stainless steel.

## Tube clamps series B (Twin-tube clamps) – Components

DIN 3015, part 3



clamp size	socket head		stacking				locking plate <sup>1)</sup>		locking washer <sup>2)</sup>			
	IS B... Order code	dimensions: d × L	AS B... Order code	a	b	m	SW	SB B... Order code	SW	US... Order code	a	b
1	<b>ISA4X (ISB1X)</b>	M 6 × 35	<b>ASA0X (ASB1X)</b>	20	34	M 6	11	<b>SBB1X</b>	11	<b>USA/USB1X</b>	9	18
2	<b>ISB2X</b>	M 8 × 35	<b>ASB2X</b>	20	33	M 8	12	<b>SBB2X</b>	12	<b>USB2X</b>	11	20
3	<b>ISB3X</b>	M 8 × 45	<b>ASB3X</b>	29	44	M 8	12					
4	<b>ISB4X</b>	M 8 × 50	<b>ASB4X</b>	34	49	M 8	12					
5	<b>ISB5X</b>	M 8 × 60	<b>ASB5X</b>	47	62	M 8	12					

<sup>1)</sup> The use of stacking screws necessitates the use of locking plates in the construction assembly!

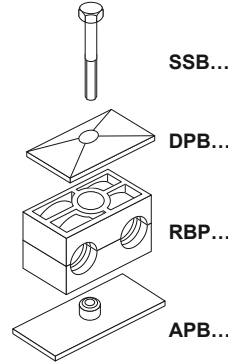
<sup>2)</sup> When assembling solid rubber clamps, covering plates, hexagon screws and locking washers must be used.  
Metal parts also available in stainless steel.

**Tube clamps series B – Complete range**

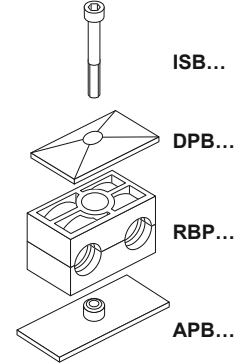
Polypropylene – **RBP**  
 Inside smooth – **RBPG**  
 Polyamide 6 – **RBN**  
 Rubber – **RBVG\***

(As required please exchange standard abbreviation RBP in column for "Order code")

2 clamp halves, weld plate,  
cover plate, hex. head bolt



2 clamp halves, weld plate,  
cover plate, socket head bolt



clamp size	Tube O.D. mm	Tube NB	Tube O.D.	Order code	Order code
1	6	G <sup>1</sup> / <sub>8</sub>	1/4	<b>RBP1-106</b>	<b>RBP3-106</b>
	6.4			<b>RBP1-106.4</b>	<b>RBP3-106.4</b>
	8			<b>RBP1-108</b>	<b>RBP3-108</b>
	8.5			<b>RBP1-109.5</b>	<b>RBP3-109.5</b>
	10			<b>RBP1-110</b>	<b>RBP3-110</b>
2	12	G <sup>3</sup> / <sub>8</sub>	1/2	<b>RBP1-112</b>	<b>RBP3-112</b>
	12.7			<b>RBP1-212.7</b>	<b>RBP3-212.7</b>
	13.5			<b>RBP1-213.5</b>	<b>RBP3-213.5</b>
	14			<b>RBP1-214</b>	<b>RBP3-214</b>
	15			<b>RBP1-215</b>	<b>RBP3-215</b>
	16			<b>RBP1-216</b>	<b>RBP3-216</b>
3	17.2	G <sup>1</sup> / <sub>2</sub>	3/4	<b>RBP1-217.2</b>	<b>RBP3-217.2</b>
	18			<b>RBP1-218</b>	<b>RBP3-218</b>
	19			<b>RBP1-319</b>	<b>RBP3-319</b>
	20			<b>RBP1-320</b>	<b>RBP3-320</b>
	21.3			<b>RBP1-321.3</b>	<b>RBP3-321.3</b>
4	22	G <sup>3</sup> / <sub>4</sub>	1	<b>RBP1-322</b>	<b>RBP3-322</b>
	25			<b>RBP1-325</b>	<b>RBP3-325</b>
	26.9			<b>RBP1-426.9</b>	<b>RBP3-426.9</b>
5	28	G1	1 1/4	<b>RBP1-428</b>	<b>RBP3-428</b>
	30			<b>RBP1-430</b>	<b>RBP3-430</b>
	32			<b>RBP1-532</b>	<b>RBP3-532</b>
	33.7			<b>RBP1-533.7</b>	<b>RBP3-533.7</b>
	35			<b>RBP1-535</b>	<b>RBP3-535</b>
5	38	G <sup>1</sup> / <sub>4</sub>	1 1/2	<b>RBP1-538</b>	<b>RBP3-538</b>
	42			<b>RBP1-542</b>	<b>RBP3-542</b>

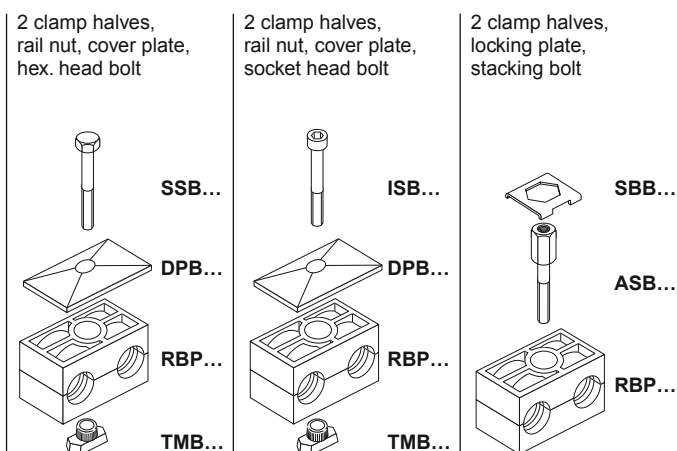
**Delivery in unassembled individual components.**

\*Only with cover plate, hexagon screws and locking washers.

## Tube clamps series B – Complete range

Polypropylene – **RBP**  
 Inside smooth – **RBPG**  
 Polyamide 6 – **RBN**  
 Rubber – **RBVG\***

(As required please exchange standard abbreviation RBP in column for "Order code")



clamp size	Tube O.D. mm	Tube NB	Tube O.D.	Order code	Order code	Order code		
1	6	G <sup>1</sup> / <sub>8</sub>	1/4	<b>RBP4-106</b>	<b>RBP5-106</b>	<b>RBP8-106</b>		
	6.4			<b>RBP4-106.4</b>	<b>RBP5-106.4</b>	<b>RBP8-106.4</b>		
	8			<b>RBP4-108</b>	<b>RBP5-108</b>	<b>RBP8-108</b>		
	9.5			<b>RBP4-109.5</b>	<b>RBP5-109.5</b>	<b>RBP8-109.5</b>		
	10			<b>RBP4-110</b>	<b>RBP5-110</b>	<b>RBP8-110</b>		
2	12	G <sup>3</sup> / <sub>8</sub>	5/16	<b>RBP4-112</b>	<b>RBP5-112</b>	<b>RBP8-112</b>		
	12.7			<b>RBP4-212.7</b>	<b>RBP5-212.7</b>	<b>RBP8-212.7</b>		
	13.5			<b>RBP4-213.5</b>	<b>RBP5-213.5</b>	<b>RBP8-213.5</b>		
	14			<b>RBP4-214</b>	<b>RBP5-214</b>	<b>RBP8-214</b>		
	15			<b>RBP4-215</b>	<b>RBP5-215</b>	<b>RBP8-215</b>		
	16			<b>RBP4-216</b>	<b>RBP5-216</b>	<b>RBP8-216</b>		
3	17.2	G <sup>3</sup> / <sub>8</sub>	5/8	<b>RBP4-217.2</b>	<b>RBP5-217.2</b>	<b>RBP8-217.2</b>		
	18			<b>RBP4-218</b>	<b>RBP5-218</b>	<b>RBP8-218</b>		
	19			G <sup>1</sup> / <sub>2</sub>	3/4	<b>RBP4-319</b>	<b>RBP5-319</b>	<b>RBP8-319</b>
	20					<b>RBP4-320</b>	<b>RBP5-320</b>	<b>RBP8-320</b>
	21.3					<b>RBP4-321.3</b>	<b>RBP5-321.3</b>	<b>RBP8-321.3</b>
22	<b>RBP4-322</b>	<b>RBP5-322</b>	<b>RBP8-322</b>					
25	<b>RBP4-325</b>	<b>RBP5-325</b>	<b>RBP8-325</b>					
4	26.9	G <sup>3</sup> / <sub>4</sub>	1	<b>RBP4-426.9</b>	<b>RBP5-426.9</b>	<b>RBP8-426.9</b>		
	28			<b>RBP4-428</b>	<b>RBP5-428</b>	<b>RBP8-428</b>		
	30			<b>RBP4-430</b>	<b>RBP5-430</b>	<b>RBP8-430</b>		
5	32	G1	1 1/4	<b>RBP4-532</b>	<b>RBP5-532</b>	<b>RBP8-532</b>		
	33.7			<b>RBP4-533.7</b>	<b>RBP5-533.7</b>	<b>RBP8-533.7</b>		
	35			<b>RBP4-535</b>	<b>RBP5-535</b>	<b>RBP8-535</b>		
	38			<b>RBP4-538</b>	<b>RBP5-538</b>	<b>RBP8-538</b>		
	42			G1 1/4	1 1/2	<b>RBP4-542</b>	<b>RBP5-542</b>	<b>RBP8-542</b>

**Delivery in unassembled individual components.**

\*Only with cover plate, hexagon screws and locking washers.

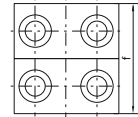
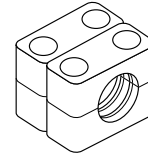
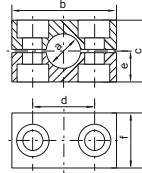
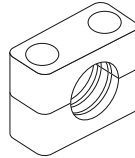
### Tube clamps series C (Heavy series) – Components

DIN 3015, part 2

**Order code for clamp halves:**

- Polypropylene – **RCP**
- Inside smooth – **RCPG<sup>1)</sup>**
- Polyamide 6 – **RCN<sup>1)</sup>**
- Rubber – **RCVR**
- Aluminium – **RCA**

(Please exchange as required standard abbreviation RCP in column for “clamp halves”)



**RCPD**  
(= 2XRCP...)

clamp size	Tube O.D. mm	Tube NB	Tube O.D.	1 part 2 clamp halves						1 part 4 clamp halves					
				RCP... Order code	dimensions:					RCPD... Order code	dimensions:				
				b	c	d	e	f	b	c	d	e	f		
1	6	G 1/8	5/16	RCP106X	55	32	33	16	30	RCPD106	55	32	33	16	60
	8			RCP108X						RCPD108					
	10			RCP110X						RCPD110					
	12	RCP112X	RCPD112												
	12.7	RCP112.7X	RCPD112.7												
	13.5	RCP113.5X	RCPD113.5												
	14	RCP114X	RCPD114												
	15	RCP115X	RCPD115												
	16	RCP116X	RCPD116												
	17.2	RCP117.2X	RCPD117.2												
18	RCP118X	RCPD118													
2	19	G 1/2	3/4	RCP219X	70	48	45	24	30	RCPD219	70	48	45	24	60
	20			RCP220X						RCPD220					
	21.3			RCP221.3X						RCPD221.3					
	22			RCP222X						RCPD222					
	23			RCP223X						RCPD223					
	25	RCP225X	RCPD225												
	26.9	RCP226.9X	RCPD226.9												
	28	RCP228X	RCPD228												
	30	RCP230X	RCPD230												
	3	30	G 1	1 1/4						RCP330X					
32		RCP332X			RCPD332										
33.7		RCP333.7X			RCPD333.7										
35		RCP335X			RCPD335										
38		RCP338X	RCPD338												
40		RCP340X	RCPD340												
42		RCP342X	RCPD342												
4		38	G 1 1/4	1 1/2	RCP438X	115	90	90	45	45	RCPD428	115	90	90	45
	40	RCP440X			RCPD440										
	42	RCP442X			RCPD442										
	45	RCP445X	RCPD445												
	48.3	RCP448.3X	RCPD448.3												
	50	RCP450X	RCPD450												
	51	RCP451X	RCPD451												
	52	RCP452X	RCPD452												
	55	RCP455X	RCPD455												
	57	RCP457X	RCPD457												
	60.3	RCP460.3X	RCPD460.3												
	63	RCP463X	RCPD463												
65	RCP465X	RCPD465													
70	RCP470X	RCPD470													

Continuation see next page ...

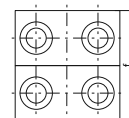
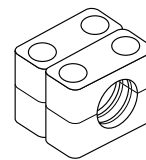
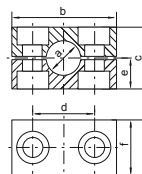
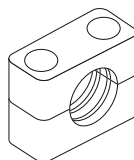


**Tube clamps series C (Heavy series) – Components (Continued)**

DIN 3015, part 2

**Order code for clamp halves:**

 Polypropylene – **RCP**  
 Inside smooth – **RCPG**<sup>1)</sup>  
 Polyamide 6 – **RCN**<sup>1)</sup>  
 Rubber – **RCVR**  
 Aluminium – **RCA**

 (Please exchange as required standard abbreviation  
 RCP in column for “clamp halves”)

**RCPD**  
 (= 2XRCP...)

clamp size	Tube O.D. mm	Tube NB	Tube O.D.	1 part 2 clamp halves						1 part 4 clamp halves					
				RCP... Order code	dimensions:					RCPD... Order code	dimensions:				
				b	c	d	e	f	b	c	d	e	f		
5	70	G 2½	3	<b>RCP570X</b>	152	120	122	60	60	<b>RCPD570</b>	152	120	122	60	120
	73			<b>RCP573X</b>						<b>RCPD573</b>					
	75			<b>RCP575X</b>						<b>RCPD575</b>					
	76.1			<b>RCP576.1X</b>						<b>RCPD576.1</b>					
	80	G 3	3¼	<b>RCP580X</b>											
	82.5			<b>RCP582.5X</b>						<b>RCPD582.5</b>					
	88.9			<b>RCP588.9X</b>						<b>RCPD588.9</b>					
	90			<b>RCP590X</b>						<b>RCPD590</b>					
6	90	G 3½	4	<b>RCP690X</b>	205	170	168	85	80	<b>RCPD690</b>	205	170	168	85	160
	97			<b>RCP697X</b>						<b>RCPD697</b>					
	100			<b>RCP6100X</b>						<b>RCPD6100</b>					
	101.6			<b>RCP6101.6X</b>						<b>RCPD6101.6</b>					
	108	G 4	4¼	<b>RCP6108X</b>											
	114.3			<b>RCP6114.3X</b>						<b>RCPD6114.3</b>					
	127			<b>RCP6127X</b>						<b>RCPD6127</b>					
7	127	G 5	5	<b>RCP7127X</b>	250	200	205	100	90	<b>RCPD7127</b>	250	200	205	100	180
	133			<b>RCP7133X</b>						<b>RCPD7133</b>					
	140			<b>RCP7140X</b>						<b>RCPD7140</b>					
	150			<b>RCP7150X</b>						<b>RCPD7150</b>					
	152.4	G 5½	6	<b>RCP7152.4X</b>											
	159			<b>RCP7159X</b>						<b>RCPD7152.4</b>					
	165.1			<b>RCP7159X</b>						<b>RCPD7159</b>					
	168.3			<b>RCP7165.1X</b>						<b>RCPD7165.1</b>					
8	168.3	G 6	6½	<b>RCP7168.3X</b>	320	270	265	135	120	<b>RCPD7168.3</b>	320	270	265	135	240
	177.8			<b>RCP8168.3X</b>						<b>RCPD8168.3</b>					
	193.7			<b>RCP8177.8X</b>						<b>RCPD8177.8</b>					
	203			<b>RCP8193.7X</b>						<b>RCPD8193.7</b>					
	219.1	G 8	8½	<b>RCP8203X</b>											
	220			<b>RCP8219.1X</b>						<b>RCPD8203</b>					
				<b>RCP8219.1X</b>						<b>RCPD8219.1</b>					
				<b>RCP8220X</b>						<b>RCPD8220</b>					

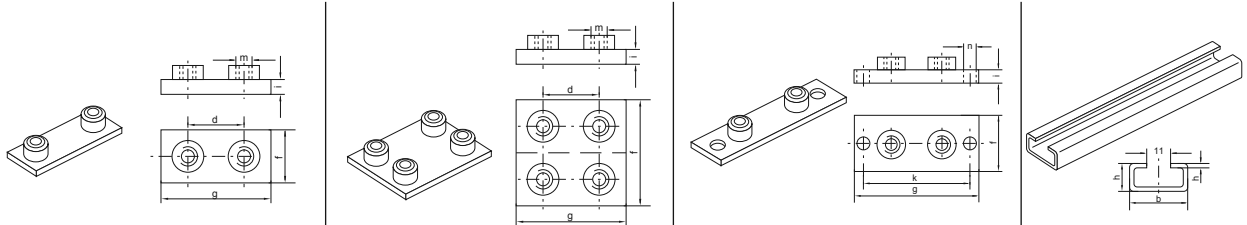
Metal parts also available in stainless steel.

<sup>1)</sup> Only sizes 1–4



**Tube clamps series C (Heavy series) – Components**

DIN 3015, part 2

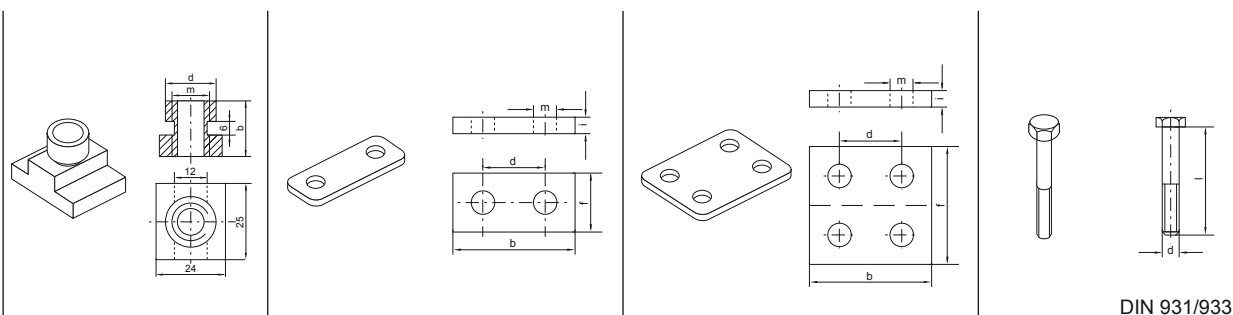


clamp size	AP C... Order code	weld plate dimensions:					APD C... Order code	double weld plate dimensions:					APL C... Order code	weld/screw plate dimensions:					TS C... Order code	mounting rail dim.:	
		d	f	g	i	m		d	f	g	i	m		g	f	i	k	n		b	h
1	<b>APC1X</b>	33	30	73	8	M10	<b>APDC1X</b>	33	60	73	8	M10	<b>APLC1X</b>	113	30	8	85	11	<b>TSC1X</b> (1 Meter)	40	22
2	<b>APC2X</b>	45	30	85	8	M10	<b>APDC2X</b>	45	60	85	8	M10	<b>APLC2X</b>	125	30	8	97	11			
3	<b>APC3X</b>	60	30	100	8	M10	<b>APDC3X</b>	60	60	100	8	M10	<b>APLC3X</b>	140	30	8	112	11			
4	<b>APC4X</b>	90	45	140	10	M12	<b>APDC4X</b>	90	90	140	10	M12	<b>APLC4X</b>	190	45	10	160	14			
5	<b>APC5X</b>	122	60	180	10	M16	<b>APDC5X</b>	122	120	180	10	M16	<b>APLC5X</b>	240	60	10	205	18	<b>TSC2X</b> (2 Meter)		
6	<b>APC6X</b>	168	80	225	15	M20	<b>APDC6X</b>	168	160	225	15	M20	<b>APLC6X</b>	310	80	15	270	22			
7	<b>APC7X</b>	205	90	270	15	M24	<b>APDC7X</b>	205	180	270	15	M24	<b>APLC7X</b>	370	90	15	320	26			
8	<b>APC8X</b>	265	120	340	25	M30	<b>APDC8X</b>	265	240	340	25	M30	<b>APLC8X</b>	450	120	25	390	33			

Metal parts also available in stainless steel.  
**Complete programme** range please refer to page S28.

## Tube clamps series C (Heavy series) – Components

DIN 3015, part 2

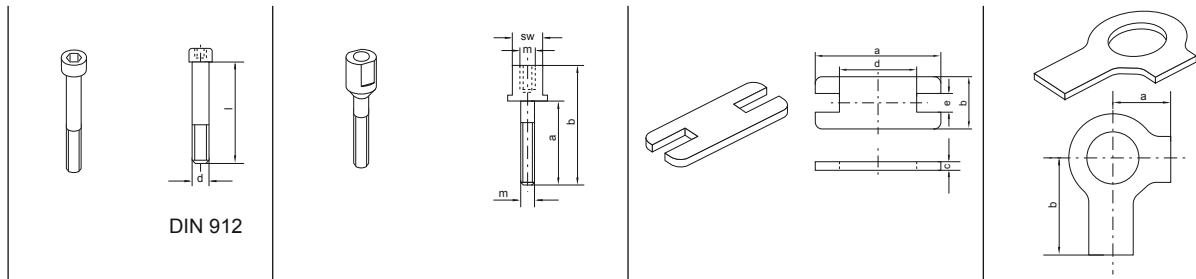


clamp size	rail nut			cover plate					double cover plate					hexagon head				
	TM C... Order code	dimensions:			DP C... Order code	dimensions:					DPD C... Order code	dimensions:					SS C... Order code	dimensions:
		b	d	m		b	d	f	i	m		b	d	f	i	m		d × L
1	<b>TMC1X</b>	20	17.8	M 10	<b>DPC1X</b>	55	33	30	8	11	<b>DPDC1X</b>	55	33	60	8	11	<b>SSC1X</b>	M 10 × 45
2					<b>DPC2X</b>	70	45	30	8	11	<b>DPDC2X</b>	70	45	60	8	11	<b>SSC2X</b>	M 10 × 60
3					<b>DPC3X</b>	85	60	30	8	11	<b>DPDC3X</b>	85	60	60	8	11	<b>SSC3X</b>	M 10 × 70
4	<b>TMC4X</b>	23	19.8	M 12	<b>DPC4X</b>	115	90	45	10	14	<b>DPDC4X</b>	115	90	90	10	14	<b>SSC4X</b>	M 12 × 100
5					<b>DPC5X</b>	152	122	60	10	18	<b>DPDC5X</b>	152	122	120	10	18	<b>SSC5X</b>	M 16 × 130
6					<b>DPC6X</b>	205	168	80	15	22	<b>DPDC6X</b>	205	168	160	15	22	<b>SSC6X</b>	M 20 × 190
7					<b>DPC7X</b>	250	205	90	15	26	<b>DPDC7X</b>	250	205	180	15	26	<b>SSC7X</b>	M 24 × 220
8					<b>DPC8X</b>	320	265	120	25	33	<b>DPDC8X</b>	320	265	240	25	33	<b>SSC8X</b>	M 30 × 300

Metal parts also available in stainless steel.

**Tube clamps series C (Heavy series) – Components**

DIN 3015, part 2



clamp size	socket head		stacking					locking plate <sup>1)</sup>					locking washer <sup>2)</sup>			
	IS C... Order code	dimensions: d × L	AS C... Order code	dimensions:				SP C... Order code	dimensions:					US C... Order code	dimensions:	
				a	b	m	SW		a	b	c	d	e		a	b
1	<b>ISC1X</b>	M 10 × 45	<b>ASC1X</b>	25	51	M 10	15	<b>SPC1X</b>	55	30	8	14	15.5	<b>USC1X</b>	13	22
2	<b>ISC2X</b>	M 10 × 60	<b>ASC2X</b>	40	66	M 10	15	<b>SPC2X</b>	70	30	8	26	15.5			
3	<b>ISC3X</b>	M 10 × 70	<b>ASC3X</b>	50	76	M 10	15	<b>SPC3X</b>	85	30	8	41	15.5			
4	<b>ISC4X</b>	M 12 × 100	<b>ASC4X</b>	85	112	M 12	17	<b>SPC4X</b>	115	45	10	69	17.5	<b>USC4X</b>	15	28
5	<b>ISC5X</b>	M 16 × 130	<b>ASC5X</b>	110	146	M 16	21	<b>SPC5X</b>	152	60	10	97	21.5	<b>USC5X</b>	18	32
6	<b>ISC6X</b>	M 20 × 190	<b>ASC6X</b>	155	206	M 20	27	<b>SPC6X</b>	205	80	15	137	27.5	<b>USC6X</b>	21	36
7	<b>ISC7X</b>	M 24 × 220	<b>ASC7X</b>	185	245	M 24	30	<b>SPC7X</b>	250	90	15	169	30.5	<b>USC7X</b>	25	42
8	<b>ISC8X</b>	M 30 × 300	<b>ASC8X</b>	250	330	M 30	36	<b>SPC8X</b>	320	120	25	219	36.5	<b>USC8X</b>	32	52

1) The use of stacking screws necessitates the use of locking plates in the construction assembly!

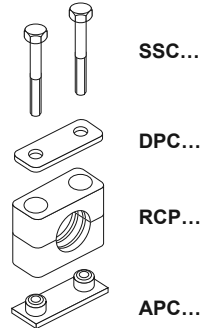
 2) When assembling solid rubber clamps, covering plates, hexagon screws and locking washers must be used.  
 Metal parts also available in stainless steel.

**Tube clamps series C – Complete range**

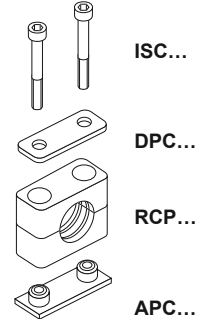
Polypropylene – **RCP**  
 Inside smooth – **RCPG<sup>1</sup>**  
 Polyamide 6 – **RCN**  
 Rubber – **RCVR\***  
 Aluminium – **RCA**

(As required please exchange standard abbreviation  
 RCP in column for "Order code")

2 clamp halves, weld plate,  
 cover plate, hex. head bolt



2 clamp halves, weld plate,  
 cover plate, socket head bolt



clamp size	Tube O.D. mm	Tube NB	Tube O.D.	Order code	Order code
1	6	G 1/8	5/16	RCP1-106	RCP2-106
	8			RCP1-108	RCP2-108
	10			RCP1-110	RCP2-110
	12	G 1/4	1/2	RCP1-112	RCP2-112
	12.7			RCP1-112.7	RCP2-112.7
	13.5			RCP1-113.5	RCP2-113.5
	14			RCP1-114	RCP2-114
	15	G 3/8	5/8	RCP1-115	RCP2-115
	16			RCP1-116	RCP2-116
	17.2			RCP1-117.2	RCP2-117.2
18	RCP1-118			RCP2-118	
2	19	G 1/2	3/4	RCP1-219	RCP2-219
	20			RCP1-220	RCP2-220
	21.3			RCP1-221.3	RCP2-221.3
	22			RCP1-222	RCP2-222
	23	G 3/4	1	RCP1-223	RCP2-223
	25			RCP1-225	RCP2-225
	26.9			RCP1-226.9	RCP2-226.9
	28			RCP1-228	RCP2-228
30	RCP1-230	RCP2-230			
3	30	G 1	1 1/4	RCP1-330	RCP2-330
	32			RCP1-332	RCP2-332
	33.7			RCP1-333.7	RCP2-333.7
	35	G 1 1/4	1 1/2	RCP1-335	RCP2-335
	38			RCP1-338	RCP2-338
	40			RCP1-340	RCP2-340
42	RCP1-342	RCP2-342			
4	38	G 1 1/4	1 1/2	RCP1-438	RCP2-438
	40			RCP1-440	RCP2-440
	42			RCP1-442	RCP2-442
	45	G 1 1/2	2	RCP1-445	RCP2-445
	48.3			RCP1-448.3	RCP2-448.3
	50			RCP1-450	RCP2-450
	51			RCP1-451	RCP2-451
	52	G 2	2 1/4	RCP1-452	RCP2-452
	55			RCP1-455	RCP2-455
	57			RCP1-457	RCP2-457
	60.3			RCP1-460.3	RCP2-460.3
	63			RCP1-463	RCP2-463
65	RCP1-465	RCP2-465			
70	RCP1-470	RCP2-470			

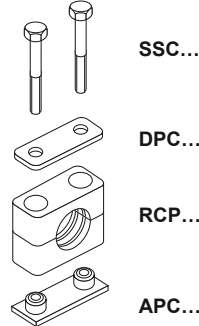
Continuation see next page ...

**Tube clamps series C – Complete range (Continued)**

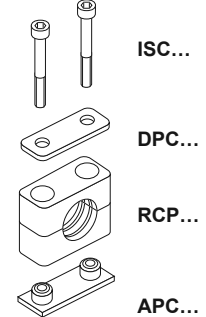
Polypropylene – **RCP**  
 Inside smooth – **RCPG<sup>1)</sup>**  
 Polyamide 6 – **RCN**  
 Rubber – **RCVR\***  
 Aluminium – **RCA**

(As required please exchange standard abbreviation  
 RCP in column for "Order code")

2 clamp halves, weld plate,  
 cover plate, hex. head bolt



2 clamp halves, weld plate,  
 cover plate, socket head bolt



clamp size	Tube O.D. mm	Tube NB	Tube O.D.	Order code	Order code
5	70	G 2½	3	<b>RCP1-570</b>	<b>RCP2-570</b>
	73			<b>RCP1-573</b>	<b>RCP2-573</b>
	75			<b>RCP1-575</b>	<b>RCP2-575</b>
	76.1			<b>RCP1-576.1</b>	<b>RCP2-576.1</b>
	80	G 3	3¼	<b>RCP1-580</b>	<b>RCP2-580</b>
	82.5			<b>RCP1-582.5</b>	<b>RCP2-582.5</b>
	88.9			<b>RCP1-588.9</b>	<b>RCP2-588.9</b>
90			<b>RCP1-590</b>	<b>RCP2-590</b>	
6	90	G 3½	4	<b>RCP1-690</b>	<b>RCP2-690</b>
	97			<b>RCP1-697</b>	<b>RCP2-697</b>
	100			<b>RCP1-6100</b>	<b>RCP2-6100</b>
	101.6			<b>RCP1-6101.6</b>	<b>RCP2-6101.6</b>
	108	G 4	4¼	<b>RCP1-6108</b>	<b>RCP2-6108</b>
	114.3			<b>RCP1-6114.3</b>	<b>RCP2-6114.3</b>
	127			<b>RCP1-6127</b>	<b>RCP2-6127</b>
7	127	G 5	5	<b>RCP1-7127</b>	<b>RCP2-7127</b>
	133			<b>RCP1-7133</b>	<b>RCP2-7133</b>
	140			<b>RCP1-7140</b>	<b>RCP2-7140</b>
	150	G 5½	5½	<b>RCP1-7150</b>	<b>RCP2-7150</b>
	152.4			<b>RCP1-7152.4</b>	<b>RCP2-7152.4</b>
	159			<b>RCP1-7159</b>	<b>RCP2-7159</b>
	165.1			<b>RCP1-7165.1</b>	<b>RCP2-7165.1</b>
168.3	G 6	6½	<b>RCP1-7168.3</b>	<b>RCP2-7168.3</b>	
8	168.3	G 8	6 <sup>5</sup> / <sub>8</sub>	<b>RCP1-8168.3</b>	<b>RCP2-8168.3</b>
	177.8		7	<b>RCP1-8177.8</b>	<b>RCP2-8177.8</b>
	193.7		7 <sup>5</sup> / <sub>8</sub>	<b>RCP1-8193.7</b>	<b>RCP2-8193.7</b>
	203			<b>RCP1-8203</b>	<b>RCP2-8203</b>
	219.1		8 <sup>5</sup> / <sub>8</sub>	<b>RCP1-8219.1</b>	<b>RCP2-8219.1</b>
	220				<b>RCP1-8220</b>

**Delivery in unassembled individual components.**

<sup>1)</sup> Only sizes 1–4

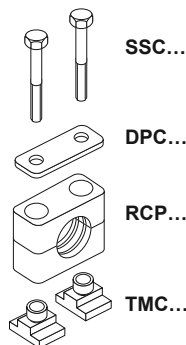
\* Only with cover plate, hexagon screws and locking washers (only sizes 1–4).

**Tube clamps series C – Complete range**

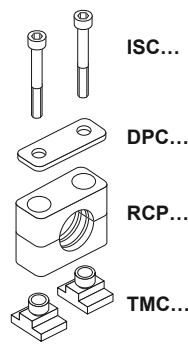
Polypropylene – **RCP**  
 Inside smooth – **RCPG<sup>1</sup>**  
 Polyamide 6 – **RCN**  
 Rubber – **RCVR\***  
 Aluminium – **RCA**

(As required please exchange standard abbreviation  
 RCP in column for "Order code")

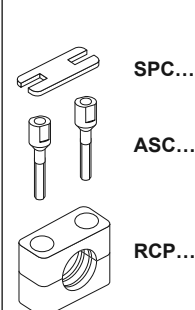
2 clamp halves,  
 rail nuts, cover plate,  
 hex. head bolts



2 clamp halves,  
 rail nuts, cover plate,  
 socket head bolts



2 clamp halves, locking  
 plate, stacking bolts



clamp size	Tube O.D. mm	Tube NB	Tube O.D.	Order code	Order code	Order code
1	6	G 1/8	5/16	RCP3-106	RCP4-106	RCP5-106
	8			RCP3-108	RCP4-108	RCP5-108
	10			RCP3-110	RCP4-110	RCP5-110
	12	G 1/4	1/2	RCP3-112	RCP4-112	RCP5-112
	12.7			RCP3-112.7	RCP4-112.7	RCP5-112.7
	13.5			RCP3-113.5	RCP4-113.5	RCP5-113.5
	14			RCP3-114	RCP4-114	RCP5-114
	15			RCP3-115	RCP4-115	RCP5-115
	16	G 3/8	5/8	RCP3-116	RCP4-116	RCP5-116
	17.2			RCP3-117.2	RCP4-117.2	RCP5-117.2
18	RCP3-118			RCP4-118	RCP5-118	
2	19	G 1/2	3/4	RCP3-219	RCP4-219	RCP5-219
	20			RCP3-220	RCP4-220	RCP5-220
	21.3			RCP3-221.3	RCP4-221.3	RCP5-221.3
	22			RCP3-222	RCP4-222	RCP5-222
	23	G 3/4	1	RCP3-223	RCP4-223	RCP5-223
	25			RCP3-225	RCP4-225	RCP5-225
	26.9			RCP3-226.9	RCP4-226.9	RCP5-226.9
	28			RCP3-228	RCP4-228	RCP5-228
30	RCP3-230	RCP4-230	RCP5-230			
3	30	G 1	1 1/4	RCP3-330	RCP4-330	RCP5-330
	32			RCP3-332	RCP4-332	RCP5-332
	33.7			RCP3-333.7	RCP4-333.7	RCP5-333.7
	35	G 1 1/4	1 1/2	RCP3-335	RCP4-335	RCP5-335
	38			RCP3-338	RCP4-338	RCP5-338
	40			RCP3-340	RCP4-340	RCP5-340
42	RCP3-342	RCP4-342	RCP5-342			
4	38	G 1 1/4	1 1/2	RCP3-438	RCP4-438	RCP5-438
	40			RCP3-440	RCP4-440	RCP5-440
	42			RCP3-442	RCP4-442	RCP5-442
	45	G 1 1/2	2	RCP3-445	RCP4-445	RCP5-445
	48.3			RCP3-448.3	RCP4-448.3	RCP5-448.3
	50			RCP3-450	RCP4-450	RCP5-450
	51			RCP3-451	RCP4-451	RCP5-451
	52			RCP3-452	RCP4-452	RCP5-452
	55	G 2	2 1/4	RCP3-455	RCP4-455	RCP5-455
	57			RCP3-457	RCP4-457	RCP5-457
	60.3			RCP3-460.3	RCP4-460.3	RCP5-460.3
	63	2 1/2	2 1/2	RCP3-463	RCP4-463	RCP5-463
	65			RCP3-465	RCP4-465	RCP5-465
65	RCP3-465			RCP4-465	RCP5-465	
70	RCP3-470			RCP4-470	RCP5-470	

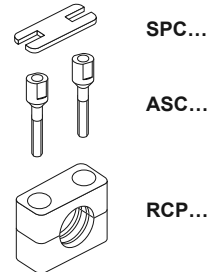
Continuation see next page ...

**Tube clamps series C – Complete range (Continued)**

Polypropylene – **RCP**  
 Inside smooth – **RCPG<sup>1)</sup>**  
 Polyamide 6 – **RCN**  
 Rubber – **RCVR\***  
 Aluminium – **RCA**

(As required please exchange standard abbreviation  
 RCP in column for "Order code")

2 clamp halves, locking  
 plate, stacking bolts



clamp size	Tube O.D. mm	Tube NB	Tube O.D.	Order code
5	70	G 2½	3	<b>RCP5-570</b>
	73			<b>RCP5-573</b>
	75			<b>RCP5-575</b>
	76.1			<b>RCP5-576.1</b>
	80	G 3	3¼	<b>RCP5-580</b>
	82.5			<b>RCP5-582.5</b>
	88.9			<b>RCP5-588.9</b>
90			<b>RCP5-590</b>	
6	90	G 3½	4	<b>RCP5-690</b>
	97			<b>RCP5-697</b>
	100			<b>RCP5-6100</b>
	101.6			<b>RCP5-6101.6</b>
	108	G 4	4¼	<b>RCP5-6108</b>
	114.3			<b>RCP5-6114.3</b>
	127			<b>RCP5-6127</b>
7	127	G 5	5	<b>RCP5-7127</b>
	133			<b>RCP5-7133</b>
	140			<b>RCP5-7140</b>
	150	G 5½	5½	<b>RCP5-7150</b>
	152.4			<b>RCP5-7152.4</b>
	159			<b>RCP5-7159</b>
	165.1			<b>RCP5-7165.1</b>
	168.3	G 6	6½	<b>RCP5-7168.3</b>
8	168.3	G 8	8⅝	<b>RCP5-8168.3</b>
	177.8			<b>RCP5-8177.8</b>
	193.7			<b>RCP5-8193.7</b>
	203			<b>RCP5-8203</b>
	219.1			<b>RCP5-8219.1</b>
	220			<b>RCP5-8220</b>

**Delivery in unassembled individual components.**

<sup>1)</sup> Only sizes 1–4

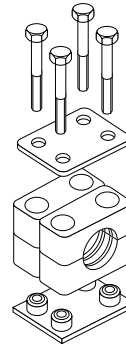
\* Only with cover plate, hexagon screws and locking washers (only sizes 1–4).

**Tube clamps series C – Complete range**

Polypropylene – **RCPD**  
 Inside smooth – **RCPDG<sup>1</sup>**  
 Polyamide 6 – **RCND**  
 Rubber – **RCVDR\***  
 Aluminium – **RCAD**

(As required please exchange standard abbreviation RCP in column for "Order code")

4 clamp halves, double weld plate, double cover plate, hex. head bolts



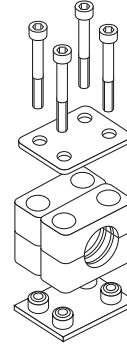
SSC...

DPDC...

RCPD...  
(=2XRCP...)

APDC...

4 clamp halves, double weld plate, double cover plate, socket head bolts



ISC...

DPDC...

RCPD...  
(=2XRCP...)

APDC...

clamp size	Tube O.D. mm	Tube NB	Tube O.D.	Order code	Order code
1	6	G 1/8	5/16	RCPD1-106	RCPD2-106
	8			RCPD1-108	RCPD2-108
	10			RCPD1-110	RCPD2-110
	12			RCPD1-112	RCPD2-112
	12.7	G 1/4	1/2	RCPD1-112.7	RCPD2-112.7
	13.5			RCPD1-113.5	RCPD2-113.5
	14			RCPD1-114	RCPD2-114
	15			RCPD1-115	RCPD2-115
	16	G 3/8	5/8	RCPD1-116	RCPD2-116
	17.2			RCPD1-117.2	RCPD2-117.2
18	RCPD1-118			RCPD2-118	
2	19	G 1/2	3/4	RCPD1-219	RCPD2-219
	20			RCPD1-220	RCPD2-220
	21.3			RCPD1-221.3	RCPD2-221.3
	22			RCPD1-222	RCPD2-222
	23	G 3/4	1	RCPD1-223	RCPD2-223
	25			RCPD1-225	RCPD2-225
	26.9			RCPD1-226.9	RCPD2-226.9
	28			RCPD1-228	RCPD2-228
	30			RCPD1-230	RCPD2-230
3	30	G 1	1 1/4	RCPD1-330	RCPD2-330
	32			RCPD1-332	RCPD2-332
	33.7			RCPD1-333.7	RCPD2-333.7
	35			RCPD1-335	RCPD2-335
	38	G 1 1/4	1 1/2	RCPD1-338	RCPD2-338
	40			RCPD1-340	RCPD2-340
42			RCPD1-342	RCPD2-342	
4	38	G 1 1/4	1 1/2	RCPD1-438	RCPD2-438
	40			RCPD1-440	RCPD2-440
	42			RCPD1-442	RCPD2-442
	45			RCPD1-445	RCPD2-445
	48.3	G 1 1/2	2	RCPD1-448.3	RCPD2-448.3
	50			RCPD1-450	RCPD2-450
	51	G 2	2 1/4	RCPD1-451	RCPD2-451
	52			RCPD1-452	RCPD2-452
	55			RCPD1-455	RCPD2-455
	57			RCPD1-457	RCPD2-457
	60.3			RCPD1-460.3	RCPD2-460.3
	63	2 1/2	RCPD1-463	RCPD2-463	
	65		RCPD1-465	RCPD2-465	
70	RCPD1-470		RCPD2-470		

Continuation see next page ...

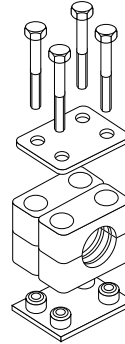


**Tube clamps series C – Complete range (Continued)**

Polypropylene – **RCPD**  
 Inside smooth – **RCPDG<sup>1)</sup>**  
 Polyamide 6 – **RCND**  
 Rubber – **RCVDR\***  
 Aluminium – **RCAD**

(As required please exchange standard abbreviation RCP in column for "Order code")

4 clamp halves, double weld plate, double cover plate, hex. head bolts



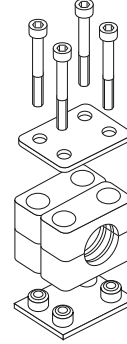
SSC...

DPDC...

RCPD...  
(=2XRCP...)

APDC...

4 clamp halves, double weld plate, double cover plate, socket head bolts



ISC...

DPDC...

RCPD...  
(=2XRCP...)

APDC...

clamp size	Tube O.D. mm	Tube NB	Tube O.D.	Order code	Order code
5	70	G 2½	3	RCPD1-570	RCPD2-570
	73			RCPD1-573	RCPD2-573
	75			RCPD1-575	RCPD2-575
	76.1			RCPD1-576.1	RCPD2-576.1
	80	G 3	3¼	RCPD1-580	RCPD2-580
	82.5			RCPD1-582.5	RCPD2-582.5
	88.9			RCPD1-588.9	RCPD2-588.9
	90			RCPD1-590	RCPD2-590
6	90	G 3½	4	RCPD1-690	RCPD2-690
	97			RCPD1-697	RCPD2-697
	100			RCPD1-6100	RCPD2-6100
	101.6	G 4	4¼	RCPD1-6101.6	RCPD2-6101.6
	108			RCPD1-6108	RCPD2-6108
	114.3			RCPD1-6114.3	RCPD2-6114.3
	127			RCPD1-6127	RCPD2-6127
7	127	G 5	5	RCPD1-7127	RCPD2-7127
	133			RCPD1-7133	RCPD2-7133
	140			RCPD1-7140	RCPD2-7140
	150	G 5½	5½	RCPD1-7150	RCPD2-7150
	152.4			RCPD1-7152.4	RCPD2-7152.4
	159			RCPD1-7159	RCPD2-7159
	165.1			RCPD1-7165.1	RCPD2-7165.1
168.3	G 6	6½	RCPD1-7168.3	RCPD2-7168.3	
8	168.3	G 8	6 <sup>5</sup> / <sub>8</sub>	RCPD1-8168.3	RCPD2-8168.3
	177.8		7	RCPD1-8177.8	RCPD2-8177.8
	193.7		7 <sup>5</sup> / <sub>8</sub>	RCPD1-8193.7	RCPD2-8193.7
	203			RCPD1-8203	RCPD2-8203
	219.1		8 <sup>5</sup> / <sub>8</sub>	RCPD1-8219.1	RCPD2-8219.1
	220			RCPD1-8220	RCPD2-8220

Delivery in unassembled individual components.

<sup>1)</sup> Only sizes 1–4

\* Only with cover plate, hexagon screws and locking washers (only sizes 1–4).

# The fully flexible tube clamp.

## Optimum insulation against noise and vibration.

### The Primary Material

The fully flexible tube clamps are made out of thermoplastic caoutchouc.

### The advantages

Excellent noise insulation and vibration properties. Easy securing also of sensitive tube and pipe installations.

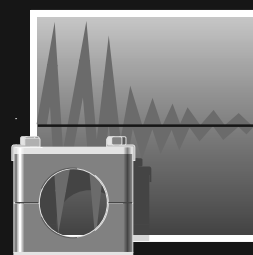
The material properties are appreciably higher than those of comparable vulcanized rubber products.

### The Construction Details

The internal surfaces are smooth or grooved. A useful screw safety-device guarantees perfect connections and together with the solid rubber construction eliminates self loosening!

The welding plates, covers and screws are also available in stainless steel.

*Low noise and vibration level*



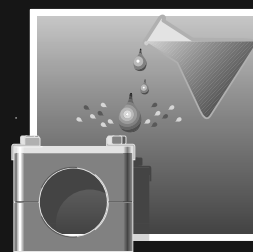
*Weather-proof and brittle-resistant*



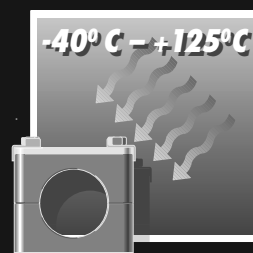
*Shape stability with high elasticity*

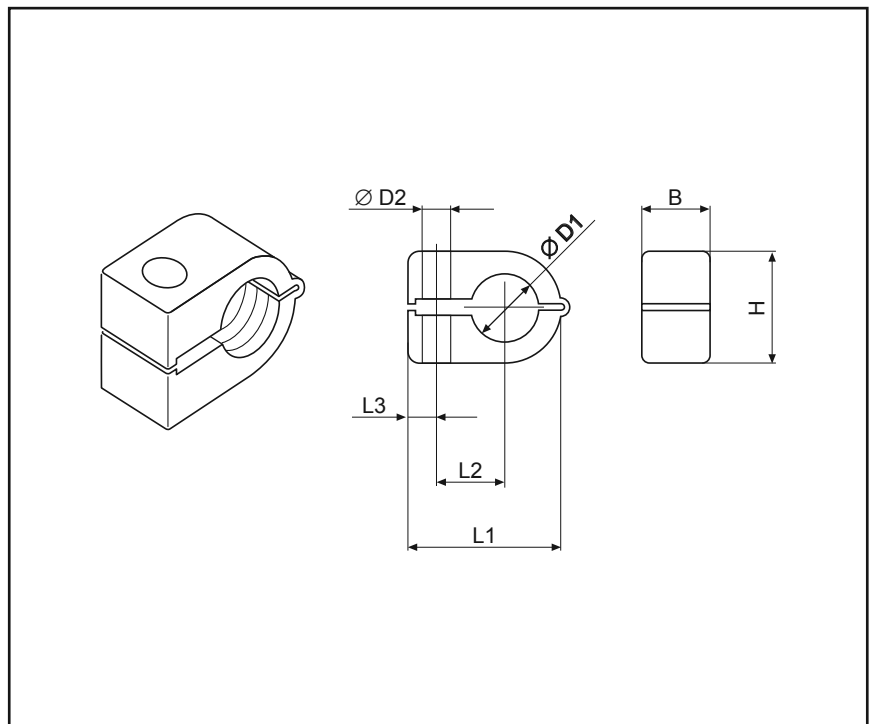


*Resistant against many chemicals*



*Wide temperature applications*



**Tube clamps series O**

**Order code for tube clamps:**

 Polypropylene **ROP\***

 Polyamide **RON\***

 \* Supplement with size and tube  $\text{Ø}$  mm.  
 (e.g. ROP 106X)

Packing standard 200 pieces.

**Areas of Application:**

- pneumatics
  - automotive technology
  - machine tool industry
  - lubrication
  - naval technologie
- also suitable for cables and hoses.

Clamp-size	O.D. mm	Tube $\text{Ø D1}$		Order code Polypropylene ROP	Order code Polyamide RON	L1	L2	L3	B	H	$\text{Ø D2}$
		Tube NB	Inch								
1	6			<b>ROP 106X</b>	<b>RON 106X</b>	22	9	7	14.5	13.5	6.5
	6.4		$1/4$	<b>ROP 106.4X</b>	<b>RON 106.4X</b>						
	8			<b>ROP 108X</b>	<b>RON 108X</b>						
2	8			<b>ROP 208X</b>	<b>RON 208X</b>	27	11	7	14.5	18.5	6.5
	9.5		$3/8$	<b>ROP 209.5X</b>	<b>RON 209.5X</b>						
	10	$1/8$		<b>ROP 210X</b>	<b>RON 210X</b>						
	12		$1/2$	<b>ROP 212X</b>	<b>RON 212X</b>						
	12.7			<b>ROP 212.7X</b>	<b>RON 212.7X</b>						
3	10	$1/8$		<b>ROP 310X</b>	<b>RON 310X</b>	33	15	7	14.5	23.5	6.5
	12		$1/2$	<b>ROP 312X</b>	<b>RON 312X</b>						
	12.7			<b>ROP 312.7X</b>	<b>RON 312.7X</b>						
	13.5	$1/4$		<b>ROP 313.5X</b>	<b>RON 313.5X</b>						
	14			<b>ROP 314X</b>	<b>RON 314X</b>						
	15		$5/8$	<b>ROP 315X</b>	<b>RON 315X</b>						
	16			<b>ROP 316X</b>	<b>RON 316X</b>						
4	14			<b>ROP 414X</b>	<b>RON 414X</b>	40	19	6	14.5	30.5	6.5
	15		$5/8$	<b>ROP 415X</b>	<b>RON 415X</b>						
	16	$3/8$		<b>ROP 416X</b>	<b>RON 416X</b>						
	17.2			<b>ROP 417.2X</b>	<b>RON 417.2X</b>						
	18		$3/4$	<b>ROP 418X</b>	<b>RON 418X</b>						
	19			<b>ROP 419X</b>	<b>RON 419X</b>						
	20			<b>ROP 420X</b>	<b>RON 420X</b>						
	21.3	$1/2$		<b>ROP 421.3X</b>	<b>RON 421.3X</b>						
	22			<b>ROP 422X</b>	<b>RON 422X</b>						

## Double-Tube clamps series O

### Order code for tube clamps:

Polypropylen **ROPD\***  
 Polyamid **ROND\***

\*Supplement with size and tube  $\varnothing$  mm.  
 (e.g. ROPD 106X)

\*Different diameter on request

### Order code for cover plate:

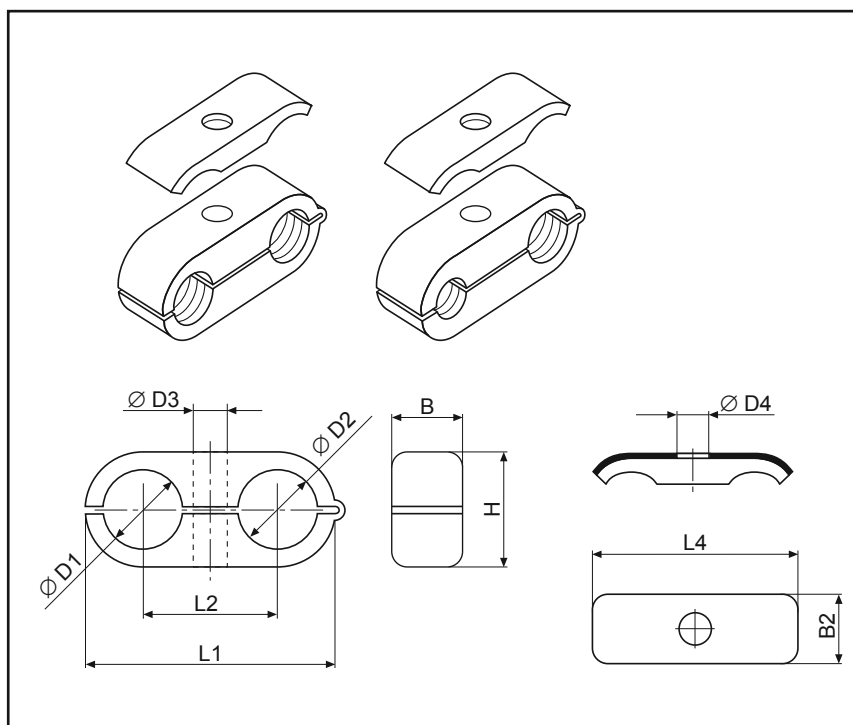
**DPO\***

\*Supplement with size.

Material: Galvanized steel  
 Stainless steel upon request

### Areas of Application:

- pneumatics
  - automotive technology
  - machine tool industry
  - lubrication
  - naval technologie
- also suitable for cables and hoses.



Clamp-size	Tube $\varnothing$ D1/D2			Order code Polypropylene ROPD	Order Code Cover plate DPO	L1	L2	B	H	$\varnothing$ D3	L4	B2	$\varnothing$ D4
	O.D. mm	Tube NB	Inch										
1	6			<b>ROPD 106X</b>	<b>DPO1X</b>	32	18	14.5	13.5	6.5	29.0	16.3	6.5
	6.4		1/4	<b>ROPD 106.4X</b>	<b>DPO1X</b>								
	8			<b>ROPD 108X</b>	<b>DPO1X</b>								
2	8			<b>ROPD 208X</b>	<b>DPO2X</b>	41	22	14.5	18.5	6.5	40.0	16.3	6.5
	9.5		3/8	<b>ROPD 209.5X</b>	<b>DPO2X</b>								
	10	1/8		<b>ROPD 210X</b>	<b>DPO2X</b>								
	12			<b>ROPD 212X</b>	<b>DPO2X</b>								
	12.7		1/2	<b>ROPD 212.7X</b>	<b>DPO2X</b>								
3	10	1/8		<b>ROPD 310X</b>	<b>DPO3X</b>	54	30	14.5	23.5	6.5	50.5	16.5	6.5
	12		1/2	<b>ROPD 312X</b>	<b>DPO3X</b>								
	12.7			<b>ROPD 312.7X</b>	<b>DPO3X</b>								
	13.5	1/4		<b>ROPD 313.5X</b>	<b>DPO3X</b>								
	14			<b>ROPD 314X</b>	<b>DPO3X</b>								
	15			<b>ROPD 315X</b>	<b>DPO3X</b>								
	16		5/8	<b>ROPD 316X</b>	<b>DPO3X</b>								
4	14			<b>ROPD 414X</b>	<b>DPO4X</b>	69	38	14.5	30.5	6.5	63.0	16.5	6.5
	15		5/8	<b>ROPD 415X</b>	<b>DPO4X</b>								
	16	3/8		<b>ROPD 416X</b>	<b>DPO4X</b>								
	17.2			<b>ROPD 417.2X</b>	<b>DPO4X</b>								
	18		3/4	<b>ROPD 418X</b>	<b>DPO4X</b>								
	19			<b>ROPD 419X</b>	<b>DPO4X</b>								
	20			<b>ROPD 420X</b>	<b>DPO4X</b>								
	21.3	1/2		<b>ROPD 421.3X</b>	<b>DPO4X</b>								
	22			<b>ROPD 422X</b>	<b>DPO4X</b>								

## Hydraulic steel-clamps

### Hydraulic steel-clamps

**Order code**

W1: steel coating ZN

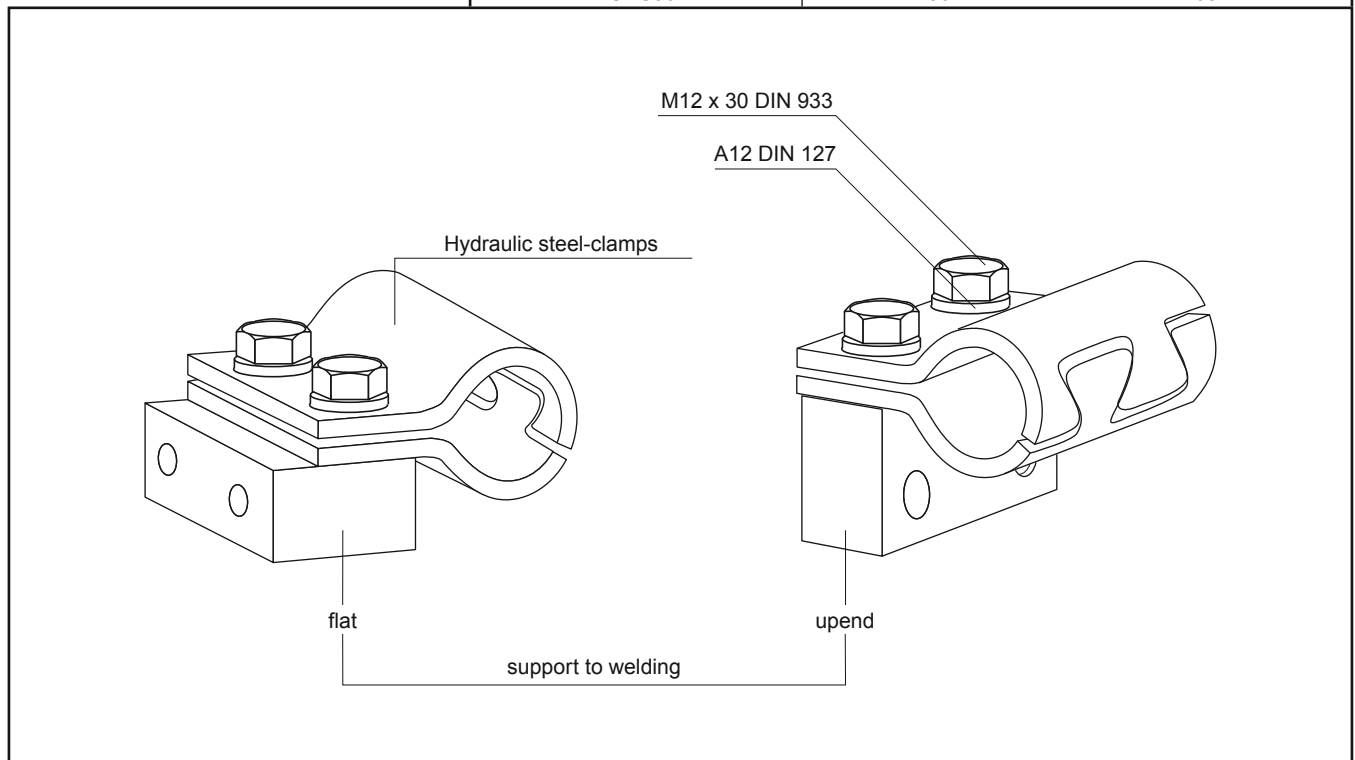
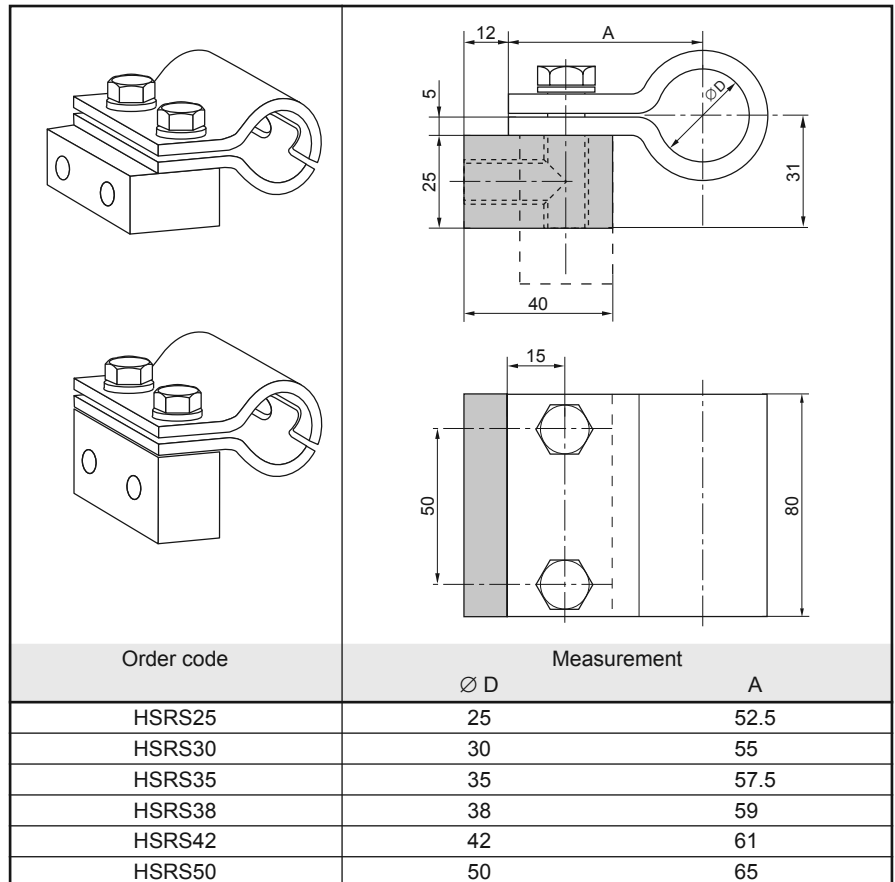
\* please add.  $\varnothing D$

**HSRS-\***

HSRS hydraulic steel-clamps are mainly used in the field of building machinery.

The support-block is welded to the machine body or another component either in upend or flat position. The tube-clamp is screwed on.

The robust construction of the clamp has an impact- and vibrationabsorbing effect. The small dimension/ height of the clamp allows hydraulic cables to be fitted later on – e. g. for installing additional equipment to building machinery.



## Hydraulic steel-clamps

### Elastomere Inlay for HSRS

**Order code**                    **EE-\***  
 \* complete outside tube diameter

Hydraulic steel tube clamp HSRS also available with Elastomere inlay

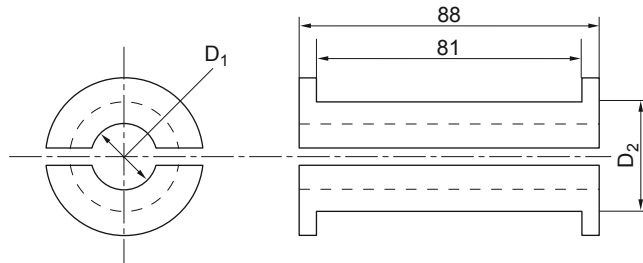
**The advantages:**

- complete outside tube diameter
- Safe fastening method even for very sensitive tube and hoses lines
- Only one clamp for different tube diameters

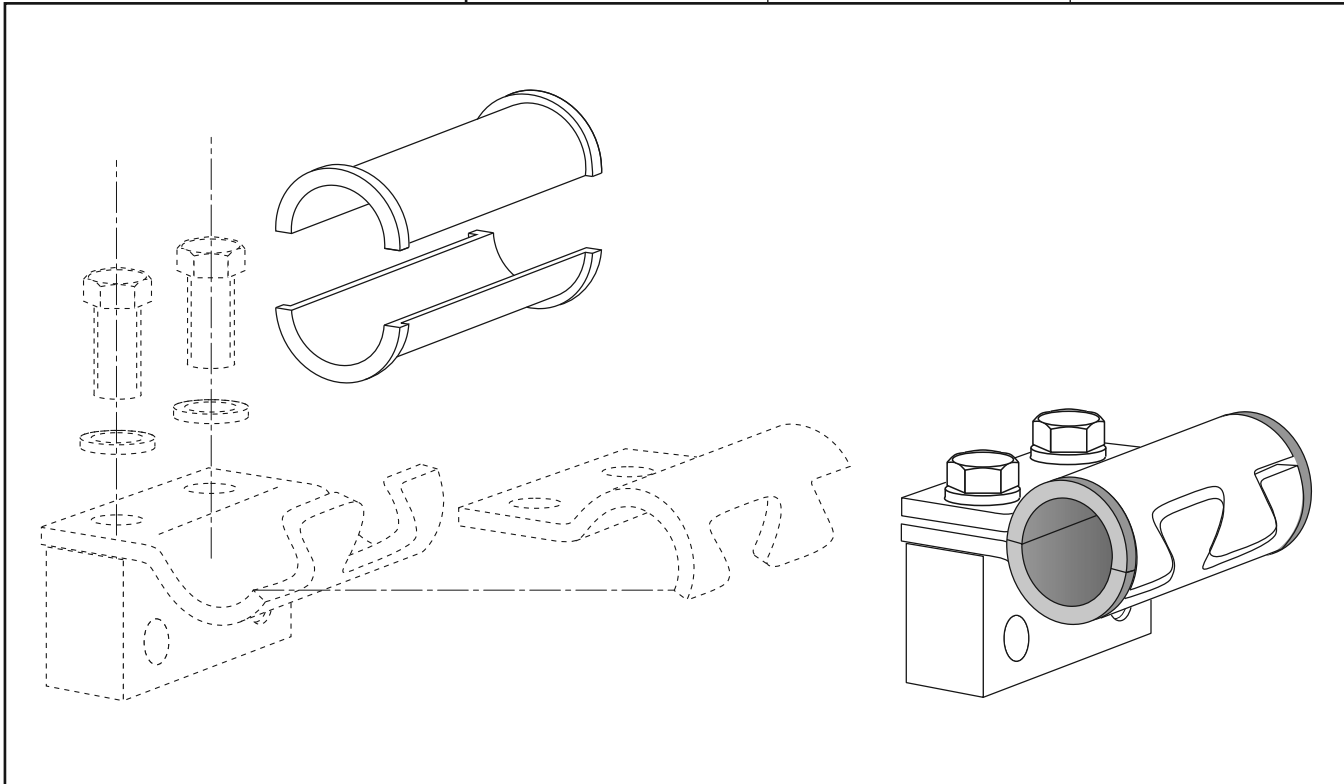
**Material:**

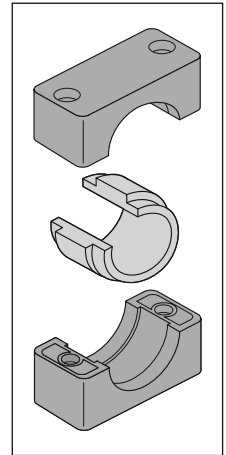
Santoprene 64 Shore

- high oil and weathering resistance
- temperature stability between -40 °C and +125°C



Order code	Nominal size D <sub>2</sub>	mm O.D. D <sub>1</sub>
EE12X	HSRS25	12
EE15X		15
EE20X	HSRS30	20
EE25X	HSRS35	25
EE30X	HSRS42	30
EE35X	HSRS50	35
EE38X		38
EE42X		42



**Tube Clamps with Elastomer Inlay**

**Light Constr. Series**
**Order codes for clamp-halves:**

 Polypropylene – **RAPE**  
 Polyamide 6 – **RANE**
**Heavy Series**
**Order codes for clamp-halves:**

 Polypropylene – **RCPE**  
 Polyamide 6 – **RCNE**
**Elastomer Inlay**
**Order code: EE-\***

\* complete with clamp size and outside tube diameter

Clamp size		Tube O.D. mm	Series A		Series C		Elastomer inlay
Serie A	Serie C		Clamp body	Clamp body with elastomer inlay	Clamp body	Clamp body with elastomer inlay	
4	2	6	RAPE4X	RAPE406X	RCPE2X	RCPE206X	EE206/406X
		8		RAPE408X		RCPE208X	EE208/408X
		10		RAPE410X		RCPE210X	EE210/410X
		12		RAPE412X		RCPE212X	EE212/412X
		12.7		RAPE412.7X		RCPE212.7X	EE212.7/412.7X
		14		RAPE414X		RCPE214X	EE214/414X
		15		RAPE415X		RCPE215X	EE215/415X
		16		RAPE416X		RCPE216X	EE216/416X
		17.2		RAPE417.2X		RCPE217.2X	EE217.2/417.2X
		18		RAPE418X		RCPE218X	EE218/418X
		19		RAPE419X		RCPE219X	EE219/419X
6	3	20	RAPE6X	RAPE620X	RCPE3X	RCPE320X	EE320/620X
		21.3		RAPE621.3X		RCPE321.3X	EE321.3/621.3X
		22		RAPE622X		RCPE322X	EE322/622X
		23		RAPE623X		RCPE323X	EE323/623X
		25		RAPE625X		RCPE325X	EE325/625X
		26.9		RAPE626.9X		RCPE326.9X	EE326.9/626.9X
		28		RAPE628X		RCPE328X	EE328/628X
		30		RAPE630X		RCPE330X	EE330/630X
		32		RAPE632X		RCPE332X	EE332/632X
				4		32	
33.7			RCPE433.7X		EE433.7X		
35			RCPE435X		EE435X		
38			RCPE438X		EE438X		
40			RCPE440X		EE440X		
42			RCPE442X		EE442X		
45.5			RCPE445.5X		EE445.5X		
48			RCPE448X		EE448X		
51			RCPE451X		EE451X		
53.4			RCPE453.4		EE453.4X		
56.4		RCPE456.4X	EE456.4X				

**Attention!** For clamps with elastomer inlay, the relation of diameter and size is not identical with the profile design or smooth design.

## Tube clamps series 2+5 (Light construction series)

DIN 3015, Part 1, Components

### Order codes

#### for clamp-halves:

Polypropylen **RAP**  
inside smooth **RAPG**

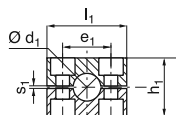
Polyamid 6 **RAN**  
inside smooth **RANG**

Rubber **RAVG**

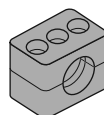
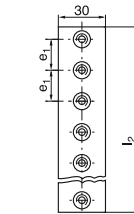
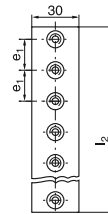
Replace standard abbreviation RAP in column "clamp halves" as required.



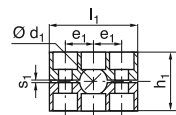
Size 2



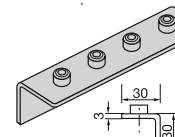
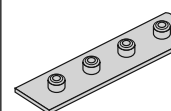
Size 2



Size 5



Size 5



Clamp size	O.D. mm $d_1$	Tube NB	Inch O.D.	1 part 2 clamp-halves	2 clamp-halves	Multiple weld plate	Multiple weld plate, angled
				<b>RAP</b> Order code	<b>RAP-...</b> $l_1$ $h_1$ $e_1$ $s_1$	<b>APRLA2X</b> $e_1$ $l_2$	<b>APRWLA2X</b> $e_1$ $l_2$
2	6,0	G 1/8	1/4	<b>RAP206X</b> <b>RAP206.4X</b> <b>RAP208X</b> <b>RAP209.5X</b> <b>RAP210X</b> <b>RAP212X</b> <b>RAP212.7X</b> <b>RAP213.5X</b> <b>RAP214X</b> <b>RAP215X</b> <b>RAP216X</b> <b>RAP217.2X</b> <b>RAP218X</b>	40 33 26 0,8	26 508	26 508
	6,4						
	8,0						
	9,5						
	10,0	G 1/4	1/2				
	12,0						
	12,7						
	13,5	G 3/8	5/8				
	14,0						
	15,0						
16,0							
17,2	G 1/2	3/4					
18,0							
5	19,0	G 1/2	3/4	<b>RAP519X</b> <b>RAP520X</b> <b>RAP521.3X</b> <b>RAP522X</b> <b>RAP523X</b> <b>RAP525X</b> <b>RAP526.9X</b> <b>RAP528X</b> <b>RAP530X</b> <b>RAP532X</b> <b>RAP533.7X</b> <b>RAP535X</b> <b>RAP538X</b> <b>RAP540X</b> <b>RAP542X</b>	70 58 26 1,2	26 508	26 508
	20,0						
	21,3						
	22,0	G 3/4	1				
	23,0						
	25,0						
	26,9	G 1	1 1/4				
	28,0						
	30,0						
	32,0						
	33,7	G 1 1/4	1 1/2				
	35,0						
	38,0						
40,0	G 1 1/4	1 1/2					
42,0							

When assembling solid rubber clamps, cover plates, hexagon screws and locking washers must be used.  
All metal parts available in stainless steel.



**Tube clamps series 2+5 (Light construction series)**

DIN 3015, Part 1, Components

Cover plate		Bolts		Bolts		Bolts		Locking washer <sup>1)</sup>
DPA	DPA l <sub>3</sub> 3 <sub>1</sub>	Slot head SLA	Slot head SLA d × L	Socket head ISA	Socket head ISA d × L	Hexagon head SSLA	Hexagon head SSLA d × L	
DPA2X	40 26	SLA2X	M 6 × 25	ISA2X	M 6 × 25	SSLA2/ SSB1X	M 6 × 25	9 18
DPA5X	70 52	SLA5X	M 6 × 50	ISA5X	M 6 × 50	SSLA5X	M 6 × 60	

1) When assembling solid rubber clamps, cover plates, hexagon screws and locking washers must be used.

## Tube clamps series 2+5 (Light construction series)

DIN 3015, Part 1, Components

Bolts Stacking <sup>2)</sup>		Locking plate <sup>2)</sup>		Welding plate, short		Mounting rail	Mounting rail	Rail nut					
ASA	ASA l <sub>5</sub>	SBAX a	SW	APKA	APKA e <sub>1</sub> L <sub>2</sub>	TS-A/B	TS-AB l h <sub>2</sub>	TMA/TMB1	TMA/TMB1 a b c d <sub>6</sub>				
ASA2X	25			APKA2X	26 42								
		30	11			TS11A/B1X TS11A/B2X TS14A/B1X TS14A/B2X TS30A/B1X TS30A7B2X	1 m 11 2 m 11 1 m 14 2 m 14 1 m 30 2 m 30	TMA/TMB1 VERZX	25.4	10.4	12	M6	
ASA5X	50			APKA5X	52 72								

<sup>2)</sup> The usage of stacking bolts necessitates the use of locking plates during the construction assembly.